

20 705 819



- 165mm projection
- pivotable spout 360°
- circular, air-enriched flow
- height of mixer 144 mm
- height up to aerator 90 mm
- hole diameter valve 32 mm
- hole diameter spout 35 mm
- rosette Ø 60 mm
- max. flow 5.7 l/min
- lead-free
- This product can help a building meet the requirements of Green Building Rating Systems, e.g. LEED®, BREEAM®, DGNB
- WRAS 2312068

Only suitable for basins with an overflow.

	Brushed Platinum	20 705 819-06
	Chrome	20 705 819-00
	Platinum	20 705 819-08
	Dark Chrome	20 705 819-19
	Brushed Durabronze (23kt Gold)	20 705 819-28
	Brushed Bronze	20 705 819-42
	Brushed Champagne (22kt Gold)	20 705 819-46
	Champagne (22kt Gold)	20 705 819-47
	Brushed Dark Platinum	20 705 819-99

Recommended miscellaneous

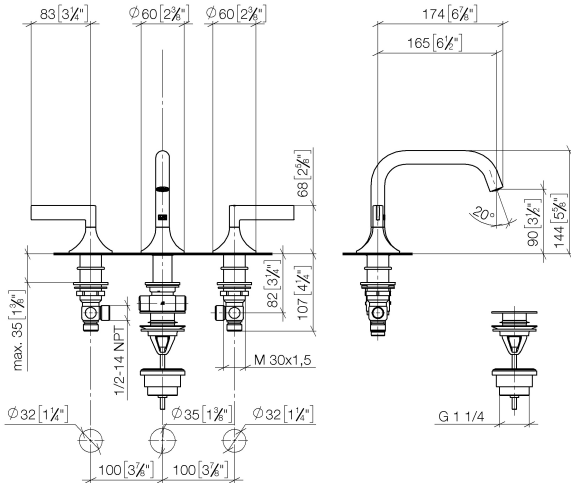


High pressure hoses -
 ● 2x 3/8" x 1/2" x 500mm high pressure hose

12 506 970 90

20 705 819

mm [inches]



Flow rate chart



Codes & Standards

DIN 4109

Executive Order
no. 1007

ISO 3822

Scottish Water
Byelaws

UK Water Supply
Regulations

Ü-Zeichen



VAIA Three-hole basin mixer with pop-up waste - Brushed Platinum

VAIA

20 705 819

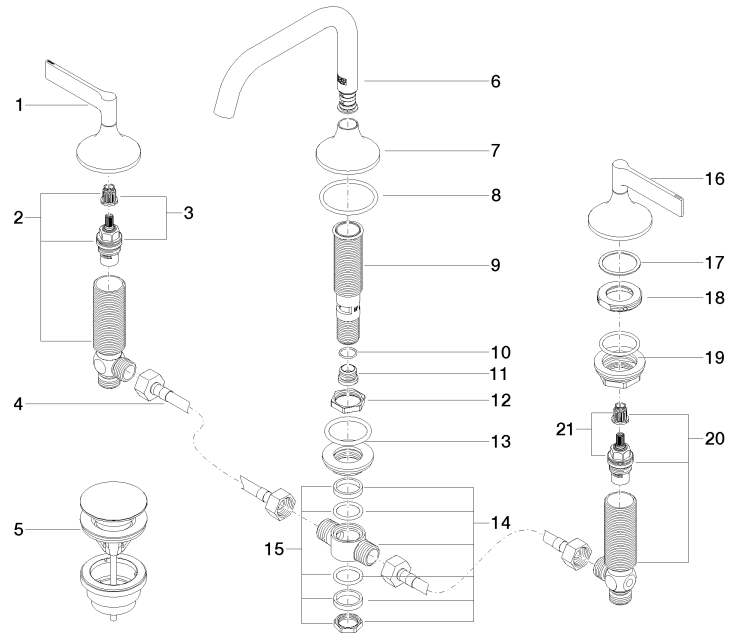
Certificates

GDV_0400

WRAS_2312

LGA_38

20 705 819





VAIA Three-hole basin mixer with pop-up waste - Brushed Platinum

VAIA

20 705 819

Spare parts list

No.	Item Number	Name	Quantity used	Delivery time
	90 20 80 013 00-06	handle (hot)	25	10