

TARA Three-hole mixer - Platinum

20 815 882 Product version from 6/30/2009



- 235mm projection
- pivotable spout 360°
- air-enriched flow
- height of mixer 370 mm
- height up to aerator 212 mm
- hole diameter spout 35 mm
- hole diameter valve 32 mm
- max. flow 7 l/min at 3 bar flow pressure
- lead-free
- This product can help a building meet the requirements of Green Building Rating Systems, e.g. LEED®, BREEAM®, DGNB
- WRAS

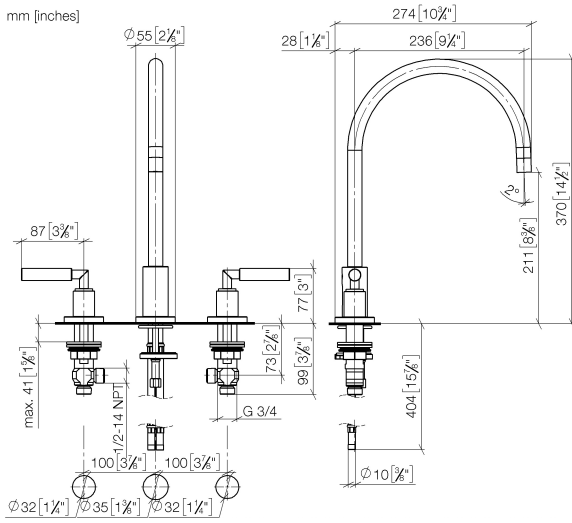
Recommended miscellaneous

**Strainer waste with control handle 10 710 970-08
- Platinum**

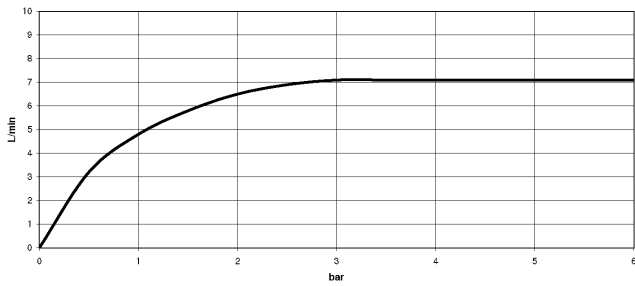


TARA Three-hole mixer - Platinum

20 815 882 Product version from 6/30/2009



Flow rate chart



Codes & Standards

DIN 4109

Executive Order
no. 1007

ISO 3822

Scottish Water
Byelaws

UK Water Supply
Regulations

Ü-Zeichen



TARA Three-hole mixer - Platinum

20 815 882 Product version from 6/30/2009

Certificates

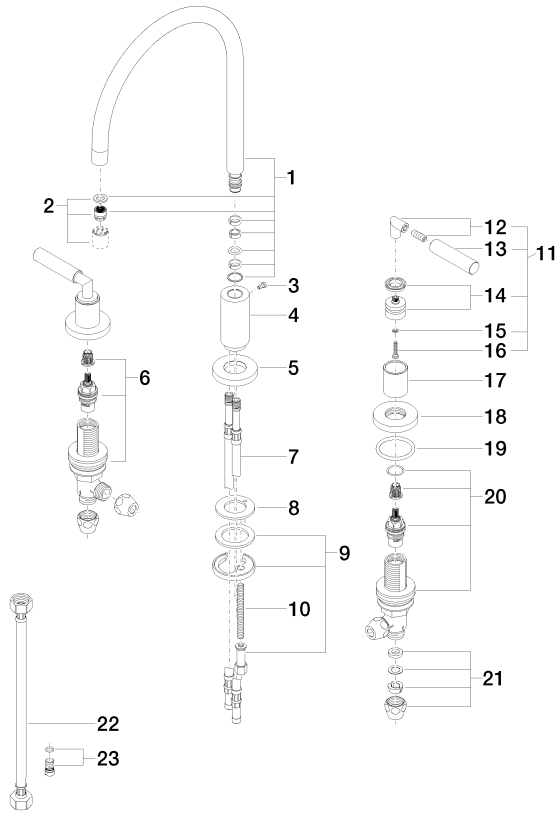
WRAS_2107

LGA_19

GDV_0400

TARA Three-hole mixer - Platinum

20 815 882 Product version from 6/30/2009





TARA Three-hole mixer - Platinum

20 815 882 Product version from 6/30/2009

Spare parts list

No.	Item Number	Name	Quantity used	Delivery time
1	90 28 22 226 01-08	spout	1	40
2	90 23 01 028 03-08	aerator	1	40
3	09 30 30 057 90	screw	1	2
4	09 11 10 088 10-08	connection	1	40
5	09 28 10 140-08	ring	1	40
6	90 17 11 040 51 90	side panel	1	2
7	04 30 04 064 00 90	hose	2	60
8	09 14 05 047 90	seal	1	2
9	04 30 11 038 00 90	fixing set	1	2
10	09 31 11 011 90	pin	1	2
11	04 20 88 052 00-08	handle	2	40
12	04 18 20 022 00-08	angle	2	-
Spare part can no longer be ordered, please order the replacement item				
13	09 20 88 052-08	handle	2	40
14	90 12 12 007 00-08	base	2	40
15	90 30 11 029 00 90	disc	2	2
16	90 30 30 075 00 90	screw	2	2
17	09 21 02 140-08	sleeve	2	40
18	09 27 89 105-08	rosette	2	40
19	90 14 10 043 00 90	seal	2	2
20	90 17 11 040 50 90	side panel	1	2
21	90 23 30 040 00-08	threaded connector	4	40
22	12 501 970 90	High pressure hose 1/2" x 1/2" x 300 mm -	2	-
Spare part can no longer be ordered, please order the replacement item				
23	04 31 20 046 10 92	set	1	2