

22 513 809

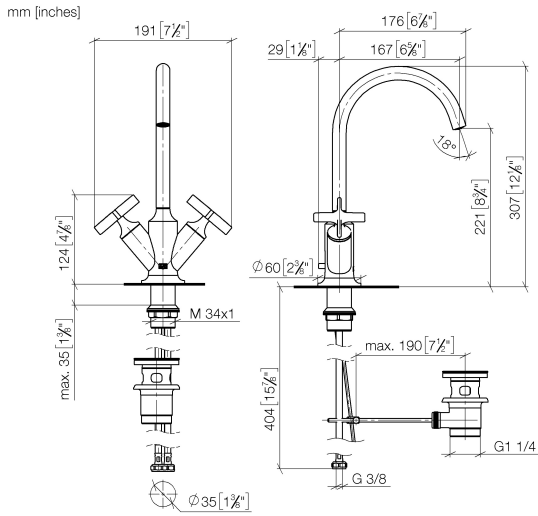


- 167mm projection
- pivotable spout 360°
- circular, air-enriched flow
- height of mixer 307 mm
- height up to aerator 221 mm
- hole diameter 35 mm
- rosette Ø 60 mm
- 2x screw-in M 10 x 1 pressure hose, leak-tested
- max. flow 5.7 l/min
- lead-free
- This product can help a building meet the requirements of Green Building Rating Systems, e.g. LEED®, BREEAM®, DGNB
- WRAS 240102002

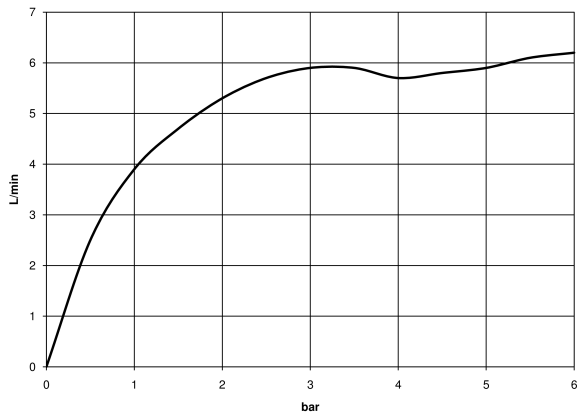
Only suitable for basins with an overflow.

	Champagne (22kt Gold)	22 513 809-47
	Chrome	22 513 809-00
	Brushed Platinum	22 513 809-06
	Platinum	22 513 809-08
	Dark Chrome	22 513 809-19
	Brushed Durabronze (23kt Gold)	22 513 809-28
	Brushed Bronze	22 513 809-42
	Brushed Champagne (22kt Gold)	22 513 809-46
	Brushed Dark Platinum	22 513 809-99

22 513 809



Flow rate chart



Codes & Standards

DIN 4109

ISO 3822

Scottish Water
Byelaws

UK Water Supply
Regulations

Ü-Zeichen



VAIA Single-hole basin mixer with pop-up waste - Champagne (22kt Gold)

VAIA

22 513 809

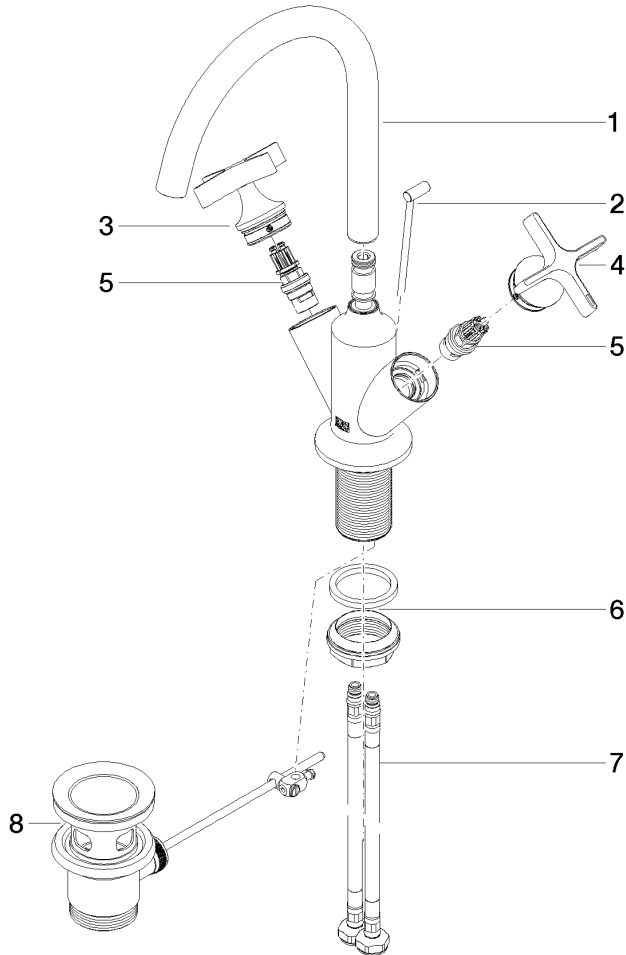
Certificates

LGA_18

WRAS_240102

22 513 809

Parts for other finishes can be found here: [Chrome](#)





VAIA Single-hole basin mixer with pop-up waste - Champagne (22kt Gold)

VAIA

22 513 809

Spare parts list

No.	Item Number	Name	Quantity used	Delivery time
	90 28 22 320 00-47	spout	10	30