

**VAIA Single-hole basin mixer with stand pipe without pop-up waste - Brushed Platinum**

VAIA

22 585 809



- 202mm projection
- pivotable spout 360°
- circular, air-enriched flow
- total height 1251 - 1321 mm
- height up to aerator 1152 – 1222 mm
- rosette Ø 135 mm
- max. flow 5.7 l/min
- lead-free
- This product can help a building meet the requirements of Green Building Rating Systems, e.g. LEED®, BREEAM®, DGNB
- WRAS 240102001

	Brushed Platinum	22 585 809-06
	Chrome	22 585 809-00
	Platinum	22 585 809-08
	Dark Chrome	22 585 809-19
	Brushed Durabronze (23kt Gold)	22 585 809-28
	Brushed Bronze	22 585 809-42
	Brushed Champagne (22kt Gold)	22 585 809-46
	Champagne (22kt Gold)	22 585 809-47
	Brushed Dark Platinum	22 585 809-99

**Required miscellaneous**



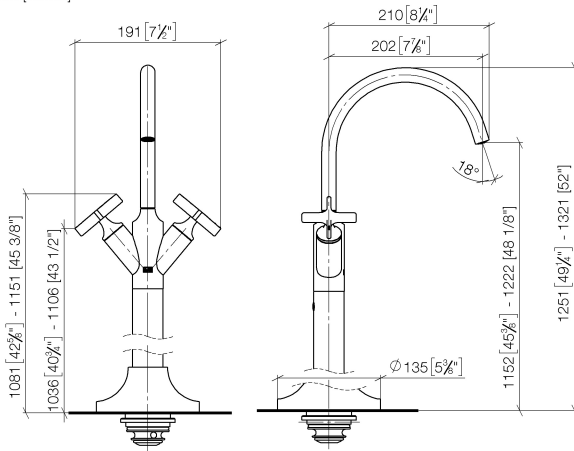
- Concealed floor mounting -**
- max. recess depth 150 mm
  - min. recess depth 80 mm

35 945 970 90

**VAIA Single-hole basin mixer with stand pipe without pop-up waste - Brushed Platinum**

VAIA

22 585 809  
mm [inches]



**Flow rate chart**



**Codes & Standards**

DIN 4109

ISO 3822

Scottish Water  
Byelaws

UK Water Supply  
Regulations

**Ü-Zeichen**



VAIA Single-hole basin mixer with stand pipe without pop-up waste - Brushed  
Platinum

---

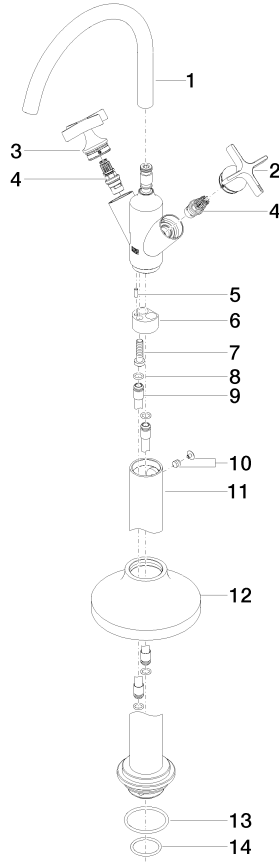
VAIA

22 585 809  
Certificates

---

LGA\_38

WRAS\_240102





VAIA Single-hole basin mixer with stand pipe without pop-up waste - Brushed  
Platinum

VAIA

22 585 809

**Spare parts list**

No.	Item Number	Name	Quantity used	Delivery time
	90 28 22 313 00-06	spout	19	10