

22 815 892



- 235mm projection
- pivotable spout 360°
- air-enriched flow
- height of mixer 378 mm
- height up to aerator 220 mm
- hole diameter 35 mm
- max. flow 7 l/min at 3 bar flow pressure
- lead-free
- This product can help a building meet the requirements of Green Building Rating Systems, e.g. LEED®, BREEAM®, DGNB
- WRAS 1810003

	Durabronss (23kt Gold)	22 815 892-09
	Chrome	22 815 892-00
	Brushed Platinum	22 815 892-06
	Platinum	22 815 892-08
	Dark Chrome	22 815 892-19
	Brushed Durabronss (23kt Gold)	22 815 892-28
	Matte Black	22 815 892-33
	Brushed Champagne (22kt Gold)	22 815 892-46
	Champagne (22kt Gold)	22 815 892-47
	Brushed Chrome	22 815 892-93
	Brushed Dark Platinum	22 815 892-99

Recommended miscellaneous

Strainer waste with control handle - Durabronss (23kt Gold) 10 710 970-09



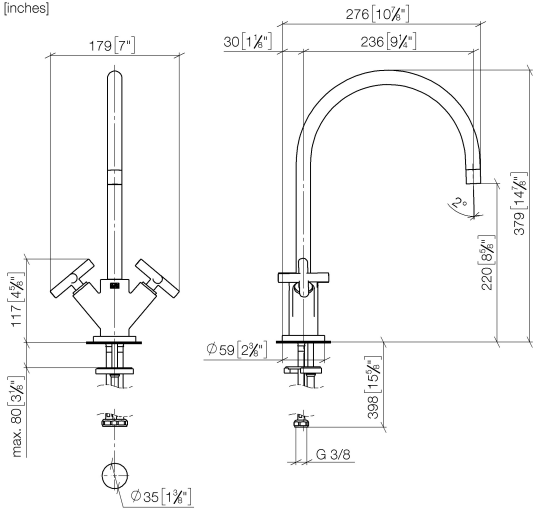
Recommended miscellaneous

Dispenser with rosette - Durabronss (23kt Gold) 82 444 970-09



22 815 892

mm [inches]



Flow rate chart



Codes & Standards

Executive Order
no. 1007



TARA Single-hole mixer - Durabronz (23kt Gold)

TARA

22 815 892

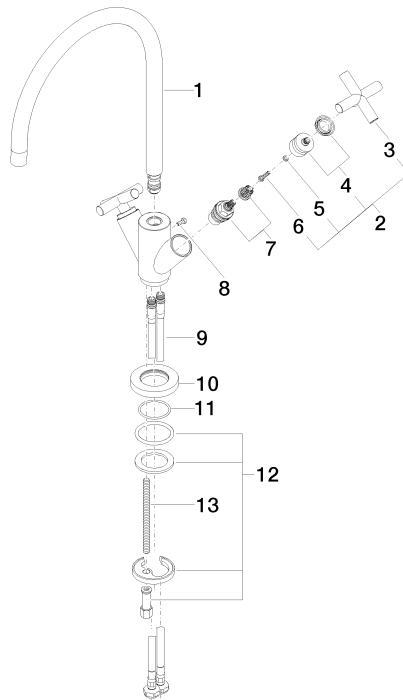
Certificates

GDV_0400

22 815 892

Product version from 5/27/2021

Parts for other
finishes can be found
here: [Chrome](#)





TARA Single-hole mixer - Durabronss (23kt Gold)

TARA

22 815 892

Spare parts list

Product version from 5/27/2021

No.	Item Number	Name	Quantity used	Delivery time
	90 28 22 226 01-09	spout	20	40