

TARA Bath mixer for wall mounting with hand shower set - Brushed Durabronz (23kt Gold)

TARA




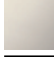


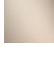



25 133 892



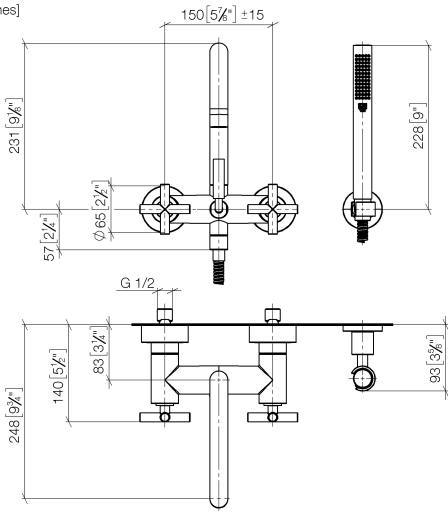
- spout: circular, air-enriched flow
- max. flow 22 l/min at 3 bar flow pressure
- Hand shower: COMPACT RAIN, max. flow rate 6.8 l/min (at 3 bar)
- complete hand shower set with anti-scale system
- 240mm projection
- rotary diverter for bath/shower
- slide-on rosettes Ø 65 mm
- rosette for shower holder Ø 50mm
- 1/2" connection
- gauge 150 mm - 15 mm
- metal shower hose 1250mm with integrated anti-twist protection

Intrinsic protection against back flow.

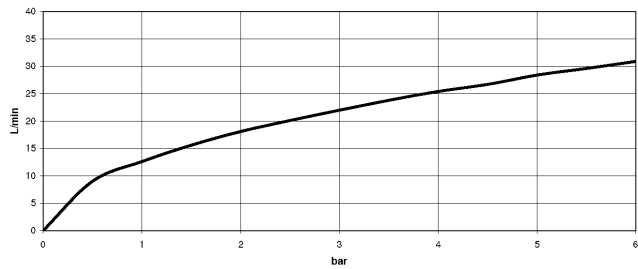
Stand pipes combination possible on request (x-TRA SERVICE).

| | | |
|--|-------------------------------|---------------|
|  | Brushed Durabronz (23kt Gold) | 25 133 892-28 |
|  | Chrome | 25 133 892-00 |
|  | Brushed Platinum | 25 133 892-06 |
|  | Platinum | 25 133 892-08 |
|  | Dark Chrome | 25 133 892-19 |
|  | Matte Black | 25 133 892-33 |
|  | Brushed Champagne (22kt Gold) | 25 133 892-46 |
|  | Champagne (22kt Gold) | 25 133 892-47 |
|  | Brushed Chrome | 25 133 892-93 |
|  | Brushed Dark Platinum | 25 133 892-99 |

25 133 892
mm [inches]



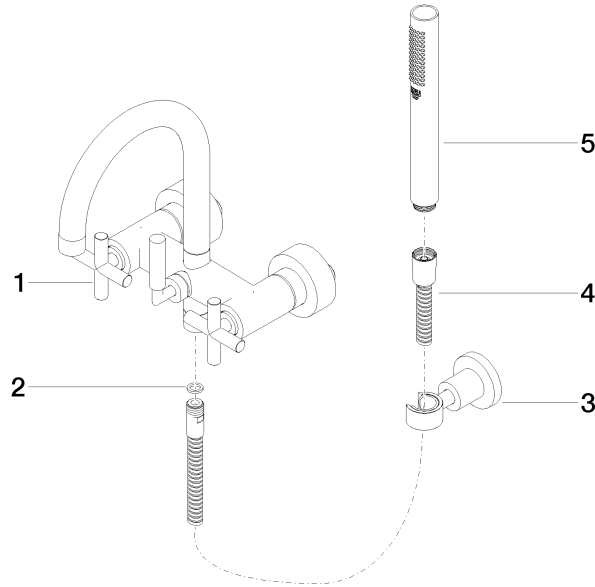
Flow rate chart



Certificates

WRAS_2210004. LGA_18933. Belgaqua_21-026-27_4.

25 133 892
Parts for other
finishes can be found
here: Chrome



Spare parts list

| No. | Item Number | Name | Quantity used | Delivery time |
|--|--------------------|---|---------------|---------------|
| 1 | 25 100 892-28 | TARA Bath mixer for wall mounting - Brushed Durabross (23kt Gold) | 1 | - |
| Spare part can no longer be ordered, please order the replacement item | | | | |
| 2 | 90 14 20 026 00 90 | seal | 1 | 2 |
| 3 | 28 050 892-28 | TARA Wall bracket - Brushed Durabross (23kt Gold) | 1 | 20 |
| 4 | 90 30 02 072 00-28 | Metal shower hose 1/2" x 3/8" x 1250 mm - Brushed Durabross (23kt Gold) | 1 | 20 |
| 5 | 90 12 11 140 30-28 | shower | 1 | 20 |