

26 622 892



- shower with fixed riser projection 420mm
- overhead shower: rain flow
- rain shower Ø 300 mm
- rain shower with anti-scale system
- max. rainshower flow 14 l/min
- Function from: 10 l/min
- rotary diverter for fixed-riser shower/hand shower
- height of fittings up to rain shower (bottom edge) 850mm
- height of fittings up to top edge of elbow 1167mm
- rosette for shower holder Ø 55mm
- rosette for wall mounting Ø 57mm
- rosette for shower mixer Ø 65mm
- gauge 150 mm - 13 mm
- 1500 mm metal shower hose
- 1/2" connection
- Pipe diameter 20 mm
- quick clearing

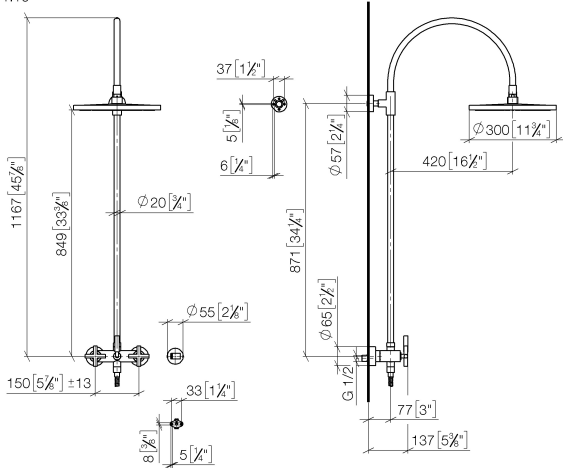
This article does not include a hand shower!

Intrinsic protection against back flow.

| | | |
|--|--------------------------------|---------------|
|  | Platinum | 26 622 892-08 |
|  | Chrome | 26 622 892-00 |
|  | Brushed Platinum | 26 622 892-06 |
|  | Dark Chrome | 26 622 892-19 |
|  | Brushed Durabronze (23kt Gold) | 26 622 892-28 |
|  | Matte Black | 26 622 892-33 |
|  | Brushed Bronze | 26 622 892-42 |
|  | Brushed Champagne (22kt Gold) | 26 622 892-46 |
|  | Champagne (22kt Gold) | 26 622 892-47 |
|  | Brushed Chrome | 26 622 892-93 |
|  | Brushed Dark Platinum | 26 622 892-99 |

26 622 892

mm [inches]
1.10



Flow rate chart



Codes & Standards

DIN 4109

EN 1717

ISO 3822

Ü-Zeichen



TARA Showerpipe with shower mixer without hand shower 300 mm - Platinum

TARA

26 622 892

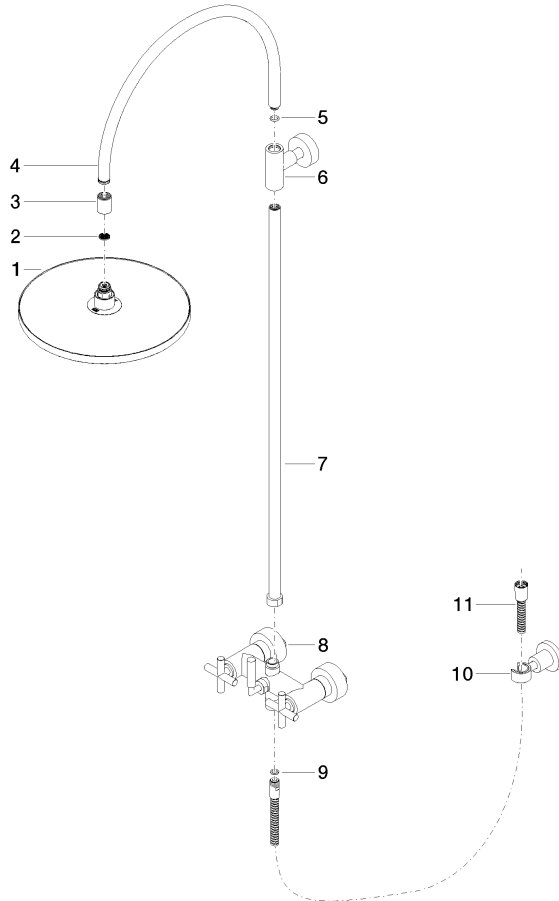
Certificates

Belgaqua_24-004-2 LGA_38

26 622 892

Product version from 4/1/2024

Parts for other finishes can be found here: [Chrome](#)





TARA Showerpipe with shower mixer without hand shower 300 mm - Platinum

TARA

26 622 892

Spare parts list

Product version from 4/1/2024

| No. | Item Number | Name | Quantity used | Delivery time |
|-----|--------------------|--------|---------------|---------------|
| | 04 12 05 091 00-08 | shower | 11 | 40 |