

**TARA Showerpipe with shower mixer without hand shower 300 mm -
Champagne (22kt Gold)**

TARA

26 622 892



- shower with fixed riser projection 420mm
- overhead shower: rain flow
- rain shower Ø 300 mm
- rain shower with anti-scale system
- max. rainshower flow 14 l/min
- Function from: 10 l/min
- rotary diverter for fixed-riser shower/hand shower
- height of fittings up to rain shower (bottom edge) 850mm
- height of fittings up to top edge of elbow 1167mm
- rosette for shower holder Ø 55mm
- rosette for wall mounting Ø 57mm
- rosette for shower mixer Ø 65mm
- gauge 150 mm - 13 mm
- 1500 mm metal shower hose
- 1/2" connection
- Pipe diameter 20 mm
- quick clearing

This article does not include a hand shower!

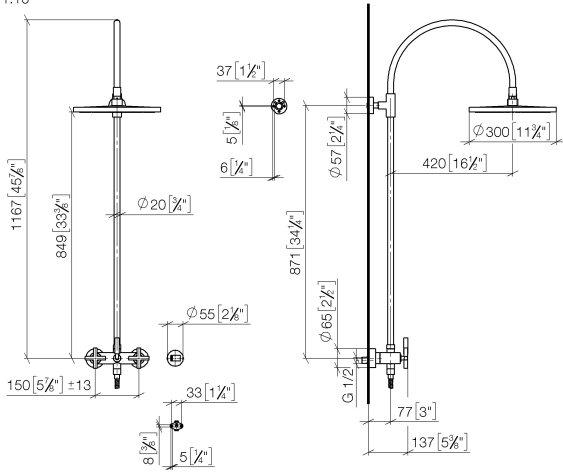
Intrinsic protection against back flow.

	Champagne (22kt Gold)	26 622 892-47
	Chrome	26 622 892-00
	Brushed Platinum	26 622 892-06
	Platinum	26 622 892-08
	Dark Chrome	26 622 892-19
	Brushed Durabronze (23kt Gold)	26 622 892-28
	Matte Black	26 622 892-33
	Brushed Bronze	26 622 892-42
	Brushed Champagne (22kt Gold)	26 622 892-46
	Brushed Chrome	26 622 892-93
	Brushed Dark Platinum	26 622 892-99

**TARA Showerpipe with shower mixer without hand shower 300 mm -
Champagne (22kt Gold)**

TARA

26 622 892
mm [inches]
1:10



Flow rate chart



Codes & Standards

DIN 4109

EN 1717

ISO 3822

Ü-Zeichen



TARA Showerpipe with shower mixer without hand shower 300 mm -
Champagne (22kt Gold)

TARA

26 622 892

Certificates

Belgaqua_24-004-2 LGA_38

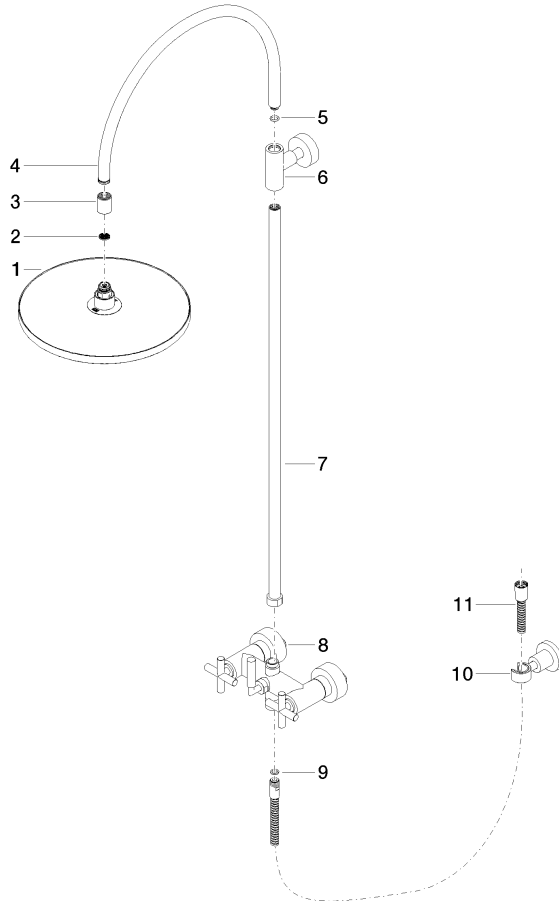
TARA Showerpipe with shower mixer without hand shower 300 mm -
Champagne (22kt Gold)

TARA

26 622 892

Product version from 4/1/2024

Parts for other
finishes can be found
here: [Chrome](#)





TARA Showerpipe with shower mixer without hand shower 300 mm -
Champagne (22kt Gold)

TARA

26 622 892

Spare parts list

Product version from 4/1/2024

No.	Item Number	Name	Quantity used	Delivery time
	04 12 05 091 00-47	shower	11	30