

**MADISON Showerpipe with shower mixer without hand shower - Durabross (23kt Gold)**

MADISON

26 632 360



- shower with fixed riser projection 420mm
- overhead shower: rain flow
- rain shower Ø 200 mm
- max. rainshower flow 14 l/min
- Function from: 8 l/min
- rotary diverter for fixed-riser shower/hand shower
- height of fittings up to top edge of elbow 1180mm
- height of fittings up to rain shower (bottom edge) 1009mm
- rosette for shower holder Ø 66mm
- rosette for wall mounting Ø 70mm
- rosette for shower mixer Ø 60mm
- gauge 150 mm - 13 mm
- metal shower hose 1250mm with integrated anti-twist protection
- 1/2" connection
- Pipe diameter 20 mm
- This product can help a building meet the requirements of Green Building Rating Systems, e.g. LEED®, BREEAM®, DGNB
- WRAS 2204012

This article does not include a hand shower!

Intrinsic protection against back flow.

|  |                               |               |
|--|-------------------------------|---------------|
|  | Durabross (23kt Gold)         | 26 632 360-09 |
|  | Chrome                        | 26 632 360-00 |
|  | Brushed Platinum              | 26 632 360-06 |
|  | Platinum                      | 26 632 360-08 |
|  | Brushed Durabross (23kt Gold) | 26 632 360-28 |
|  | Brushed Dark Platinum         | 26 632 360-99 |

**Required miscellaneous**

|  |   |               |
|--|---|---------------|
|  | <b>MADISON Hand shower - Durabross (23kt Gold)</b>  | 28 002 978-09 |
|  | <ul style="list-style-type: none"> <li>• spray head Ø 95mm</li> <li>• Hand shower see page {PAGE}</li> <li>• Three settings: COMPACT RAIN, COMPACT SOFT FLOW, COMPACT AQUAPRESSURE FLOW, max. flow rate l/min (at 3 bar)</li> </ul> |               |

**Required miscellaneous**

|  |   |                       |
|--|---|-----------------------|
|  | <b>MADISON Metal hand shower with porcelain insert (white) FlowReduce - Durabross (23kt Gold)</b> | 28 002 970-09<br>0010 |
|--|---|-----------------------|

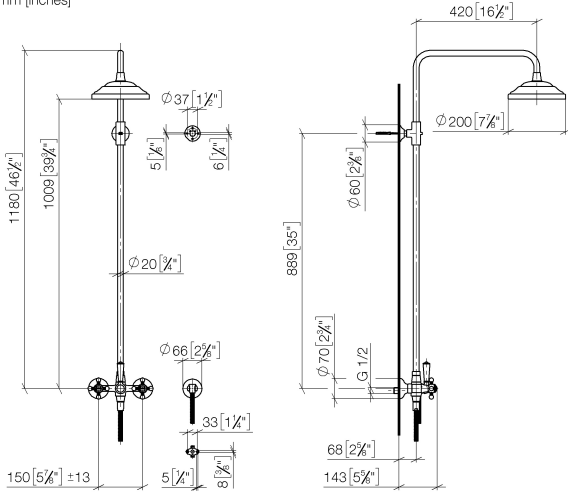
**Required miscellaneous**

|  |   |                       |
|--|---|-----------------------|
|  | <b>MADISON Hand shower FlowReduce - Durabross (23kt Gold)</b>   | 28 002 978-09<br>0010 |
|  | <ul style="list-style-type: none"> <li>• spray head Ø 95mm</li> <li>• Hand shower see page {PAGE}</li> <li>• Three settings: COMPACT RAIN, COMPACT SOFT FLOW, COMPACT AQUAPRESSURE FLOW, max. flow rate l/min (at 3 bar)</li> </ul> |                       |

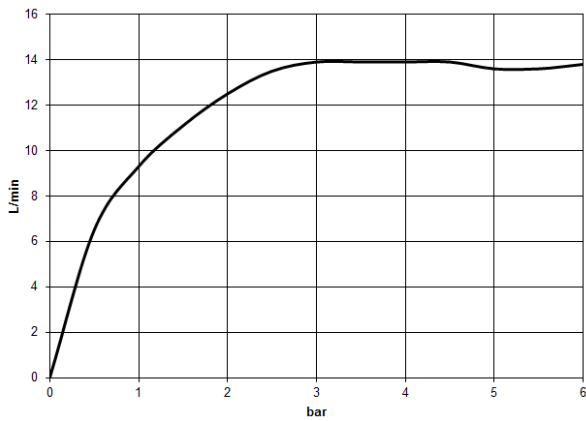
**MADISON Showerpipe with shower mixer without hand shower - Durabross (23kt Gold)**

MADISON

26 632 360  
mm [inches]



**Flow rate chart**



**Codes & Standards**

DIN 4109

EN 1717

ISO 3822

Scottish Water  
Byelaws

UK Water Supply  
Regulations

Ü-Zeichen



MADISON Showerpipe with shower mixer without hand shower - Durabrass  
(23kt Gold)

---

MADISON

26 632 360

Certificates

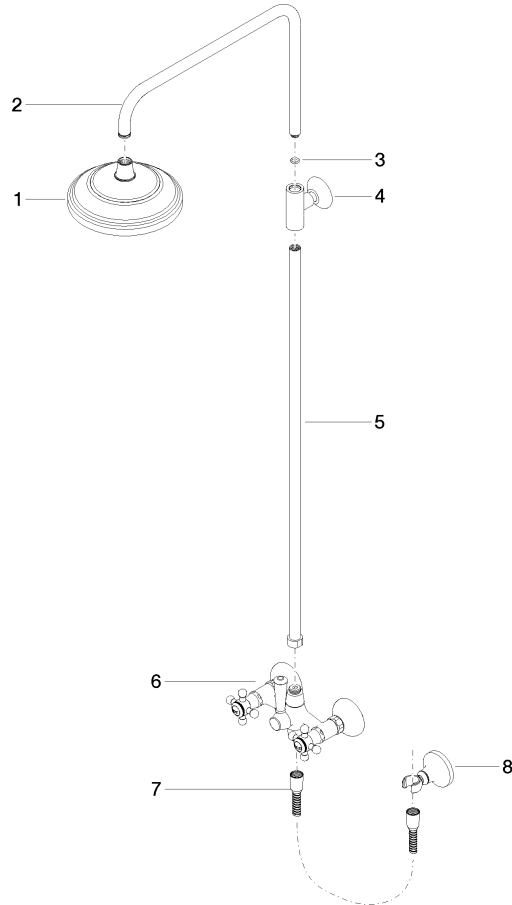
---

Belgaqua\_21-023-2 WRAS\_2204

LGA\_29

26 632 360

Parts for other  
finishes can be found  
here: [Chrome](#)





MADISON Showerpipe with shower mixer without hand shower - Durabrass  
(23kt Gold)

MADISON

26 632 360

**Spare parts list**

| No. | Item Number        | Name   | Quantity used | Delivery time |
|-----|--------------------|--------|---------------|---------------|
|     | 04 12 05 038 01-09 | shower | 8             | 60            |