

26 633 892



- shower with fixed riser projection 420mm
- overhead shower: rain flow
- rain shower Ø 220 mm
- rain shower with anti-scale system
- max. rainshower flow 7 l/min
- rotary diverter for fixed-riser shower/hand shower
- height of fittings up to rain shower (bottom edge) 1007mm
- height of fittings up to top edge of elbow 1167mm
- rosette for shower holder Ø 55mm
- rosette for wall mounting Ø 57mm
- rosette for shower mixer Ø 65mm
- gauge 150 mm - 13 mm
- 1500 mm metal shower hose
- 1/2" connection
- Pipe diameter 20 mm
- quick clearing
- This product can help a building meet the requirements of Green Building Rating Systems, e.g. LEED®, BREEAM®, DGNB
- WRAS 2204012

This article does not include a hand shower!

Intrinsic protection against back flow.

| | | |
|-------------------------------------------------------------------------------------|--------------------------------|---------------|
|  | Matte Black | 26 633 892-33 |
|  | Chrome | 26 633 892-00 |
|  | Brushed Platinum | 26 633 892-06 |
|  | Platinum | 26 633 892-08 |
|  | Dark Chrome | 26 633 892-19 |
|  | Brushed Durabronze (23kt Gold) | 26 633 892-28 |
|  | Brushed Bronze | 26 633 892-42 |
|  | Brushed Champagne (22kt Gold) | 26 633 892-46 |
|  | Champagne (22kt Gold) | 26 633 892-47 |
|  | Brushed Chrome | 26 633 892-93 |
|  | Brushed Dark Platinum | 26 633 892-99 |

26 633 892

Required miscellaneous

| | | |
|-----------------------------------------------------------------------------------|----------------------------------|---------------|
|  | Hand shower - Matte Black | 28 015 979-33 |
|-----------------------------------------------------------------------------------|----------------------------------|---------------|

Required miscellaneous

| | | |
|-----------------------------------------------------------------------------------|----------------------------------|---------------|
|  | Hand shower - Matte Black | 28 012 979-33 |
|-----------------------------------------------------------------------------------|----------------------------------|---------------|

Required miscellaneous

| | | |
|-----------------------------------------------------------------------------------|----------------------------------|---------------|
|  | Hand shower - Matte Black | 28 017 979-33 |
|-----------------------------------------------------------------------------------|----------------------------------|---------------|

Required miscellaneous

| | | |
|-----------------------------------------------------------------------------------|----------------------------------|---------------|
|  | Hand shower - Matte Black | 28 018 979-33 |
|-----------------------------------------------------------------------------------|----------------------------------|---------------|

Required miscellaneous

| | | |
|-------------------------------------------------------------------------------------|-------------------------------------------------|-----------------------|
|  | SERIES-VARIOUS Hand shower - Matte Black | 28 029 979-33 0010 |
|-------------------------------------------------------------------------------------|-------------------------------------------------|-----------------------|


Required miscellaneous

| | | |
|-------------------------------------------------------------------------------------|-------------------------------------------------|-----------------------|
|  | SERIES-VARIOUS Hand shower - Matte Black | 28 027 979-33 0010 |
|-------------------------------------------------------------------------------------|-------------------------------------------------|-----------------------|


Required miscellaneous

| | | |
|-----------------------------------------------------------------------------------|----------------------------------|---------------|
|  | Hand shower - Matte Black | 28 016 979-33 |
|-----------------------------------------------------------------------------------|----------------------------------|---------------|


Required miscellaneous

| | | |
|-----------------------------------------------------------------------------------|---------------------------------------------|-----------------------|
|  | Hand shower FlowReduce - Matte Black | 28 016 979-33 0010 |
|-----------------------------------------------------------------------------------|---------------------------------------------|-----------------------|

Required miscellaneous

| | | |
|-----------------------------------------------------------------------------------|---------------------------------------------|-----------------------|
|  | Hand shower FlowReduce - Matte Black | 28 012 979-33 0010 |
|-----------------------------------------------------------------------------------|---------------------------------------------|-----------------------|

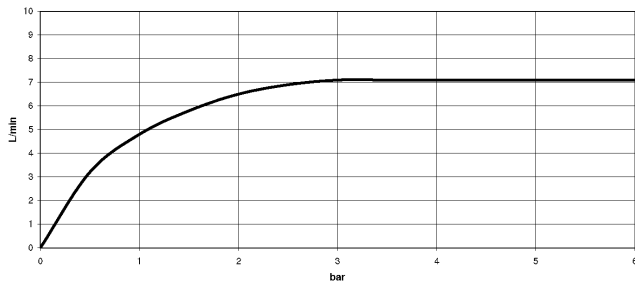
Required miscellaneous

| | | |
|-----------------------------------------------------------------------------------|---------------------------------------------|-----------------------|
|  | Hand shower FlowReduce - Matte Black | 28 018 979-33 0010 |
|-----------------------------------------------------------------------------------|---------------------------------------------|-----------------------|

Required miscellaneous

| | | |
|-------------------------------------------------------------------------------------|-------------------------------------------------|-----------------------|
|  | SERIES-VARIOUS Hand shower - Matte Black | 28 025 979-33 0010 |
|-------------------------------------------------------------------------------------|-------------------------------------------------|-----------------------|

Flow rate chart



Codes & Standards

DIN 4109

EN 1717

ISO 3822

Scottish Water
Byelaws

UK Water Supply
Regulations

Ü-Zeichen



TARA Showerpipe without hand shower FlowReduce 220 mm - Matte Black

TARA

26 633 892

Certificates

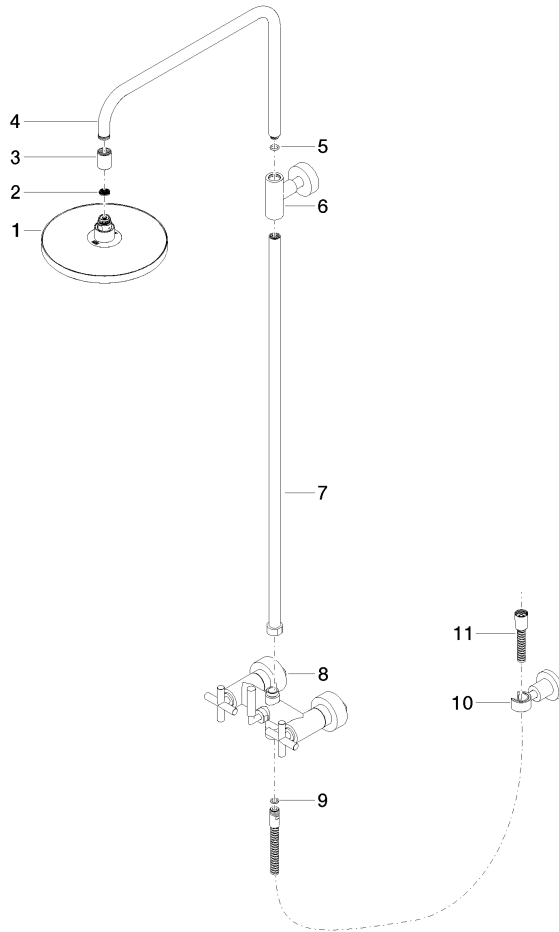
Belgaqua_21-023-2 LGA_38

WRAS_2204

26 633 892

Product version from 4/1/2024

Parts for other finishes can be found here: [Chrome](#)





TARA Showerpipe without hand shower FlowReduce 220 mm - Matte Black

TARA

26 633 892

Spare parts list

Product version from 4/1/2024

| No. | Item Number | Name | Quantity used | Delivery time |
|-----|--------------------|--------|---------------|---------------|
| | 90 12 05 092 20-33 | shower | 11 | 30 |