

**IMO Three-hole single-lever bath mixer for bath rim or tile edge installation -  
Brushed Light Gold**





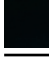

IMO

27 412 670



- 224mm projection
- spout: cascade
- max. flow 19.2 l/min at 3 bar flow pressure
- Hand shower: COMPACT RAIN, max. flow rate 6.8 l/min (at 3 bar)
- complete hand shower set with anti-scale system
- automatic bath/shower diverter
- height of mixer 110 mm
- height up to aerator 138 mm
- hole diameter spout 32 mm
- single-lever mixer hole diameter 35 mm
- hole diameter for complete hand shower set 32 mm
- rosette for mixer 60 x 60mm
- rosette for spout 60 x 60mm
- rosette for complete hand shower set 60 x 60mm
- metal shower hose 2250mm with integrated anti-twist protection

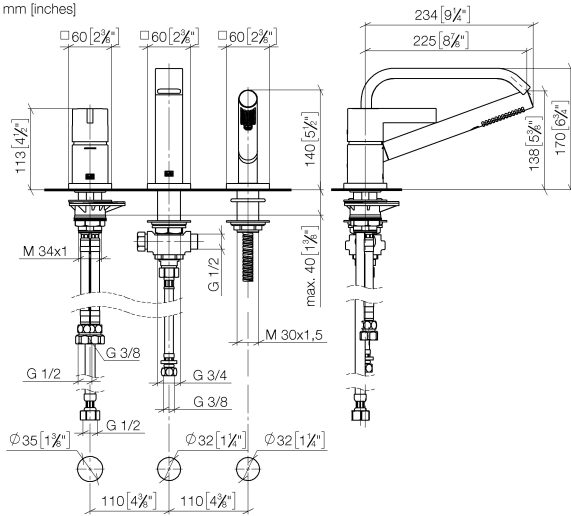
Intrinsic protection against back flow.

	Brushed Light Gold	27 412 670-27
	Chrome	27 412 670-00
	Brushed Platinum	27 412 670-06
	Dark Chrome	27 412 670-19
	Matte Black	27 412 670-33
	Brushed Chrome	27 412 670-93

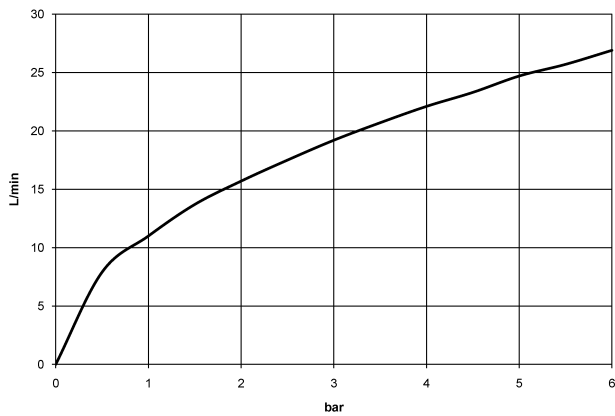
**IMO Three-hole single-lever bath mixer for bath rim or tile edge installation -  
Brushed Light Gold**

IMO

27 412 670  
mm [inches]



**Flow rate chart**



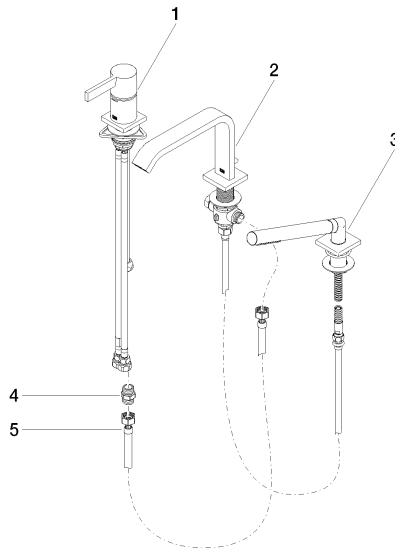
**Certificates**

Belgaqua\_24-008-  
27\_4.

**IMO Three-hole single-lever bath mixer for bath rim or tile edge installation -  
Brushed Light Gold**

IMO

27 412 670  
Parts for other  
finishes can be found  
here: [Chrome](#)



**Spare parts list**

No.	Item Number	Name	Quantity used	Delivery time
1	29 300 670-27	Single-lever bath mixer for bath rim or tile edge installation - Brushed Light Gold	1	30
2	13 512 670-27	spout	1	-
Spare part can no longer be ordered, please order the replacement item				
3	27 702 980-27	Hand shower set for bath rim or tile edge installation - Brushed Light Gold	1	30
4	90 24 03 168 00 90	nipple	1	2
5	12 502 970 90	High pressure hose 1/2" x 1/2" x 400 mm -	1	2