

27 522 809



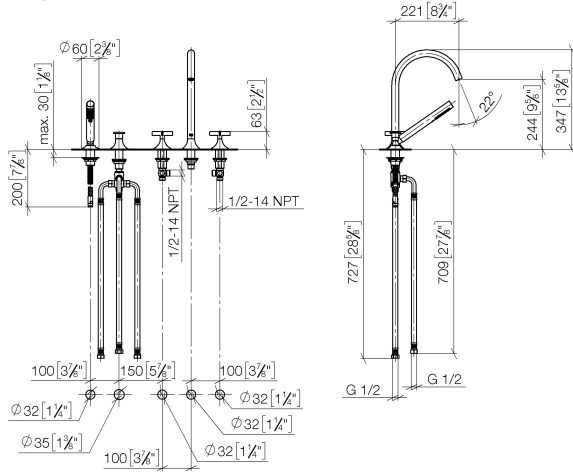
- spout: circular, air-enriched flow
- max. flow 21.5 l/min at 3 bar flow pressure
- Hand shower: COMPACT RAIN, max. flow rate 6.8 l/min (at 3 bar)
- complete hand shower set with anti-scale system
- 220mm projection
- automatic bath/shower diverter
- height of mixer 347 mm
- height up to aerator 244 mm
- hole diameter valve 32 mm
- hole diameter spout 32 mm
- hole diameter for complete hand shower set 32 mm
- rosette for complete hand shower set Ø 60mm
- rosette for spout Ø 60mm
- rosette for deck valve Ø 60mm
- metal shower hose 1750mm with integrated anti-twist protection
- WRAS 2310008

Intrinsic protection against back flow.

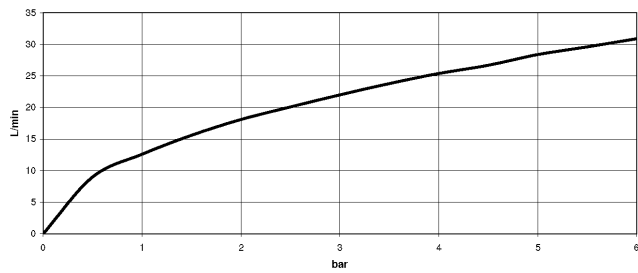
| | | |
|---|--------------------------------|---------------|
|  | Dark Chrome | 27 522 809-19 |
|  | Chrome | 27 522 809-00 |
|  | Brushed Platinum | 27 522 809-06 |
|  | Platinum | 27 522 809-08 |
|  | Brushed Durabronze (23kt Gold) | 27 522 809-28 |
|  | Brushed Bronze | 27 522 809-42 |
|  | Brushed Champagne (22kt Gold) | 27 522 809-46 |
|  | Champagne (22kt Gold) | 27 522 809-47 |
|  | Brushed Dark Platinum | 27 522 809-99 |

27 522 809

mm [inches]
M 1:10



Flow rate chart



Certificates

Belgaqua_22_278_2 WRAS_2310008. LGA_29298.
7_4.

27 522 809

Parts for other
finishes can be found
here: [Chrome](#)

