

# MEM Bath shower set for bath rim or tile edge installation - Brushed Dark Platinum

MEM

27 532 782



- 220mm projection
- spout: rectangular normal flow
- max. flow 27.3 l/min at 3 bar flow pressure
- Hand shower: COMPACT RAIN, max. flow rate 6.8 l/min (at 3 bar)
- complete hand shower set with anti-scale system
- automatic bath/shower diverter
- height of mixer 300 mm
- height up to aerator 170 mm
- hole diameter valve 32 mm
- hole diameter spout 32 mm
- hole diameter for complete hand shower set 32 mm
- rosette for spout 60 x 60mm
- rosette for complete hand shower set 60 x 60mm
- rosette for deck valve 60 x 60mm
- metal shower hose 1750mm with integrated anti-twist protection
- WRAS 2306058

Intrinsic protection against back flow.

	Brushed Dark Platinum	27 532 782-99
	Chrome	27 532 782-00
	Brushed Platinum	27 532 782-06
	Platinum	27 532 782-08
	Dark Chrome	27 532 782-19
	Brushed Durabronze (23kt Gold)	27 532 782-28
	Brushed Champagne (22kt Gold)	27 532 782-46
	Champagne (22kt Gold)	27 532 782-47

## Recommended miscellaneous

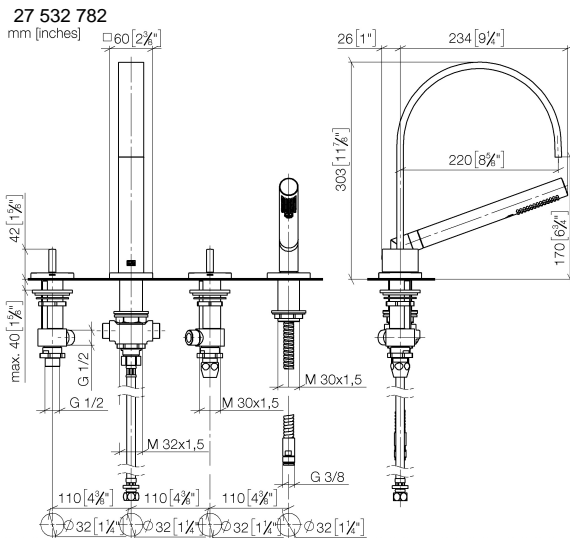


**Perfecto installation kit -** 12 614 970 90

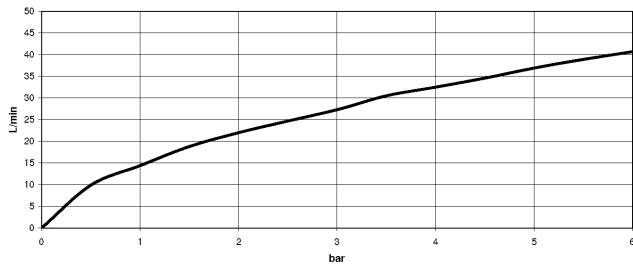
## Recommended miscellaneous



**Decorative caps for Perfecto - Brushed Dark Platinum** 12 801 970-99  
• 1 pair



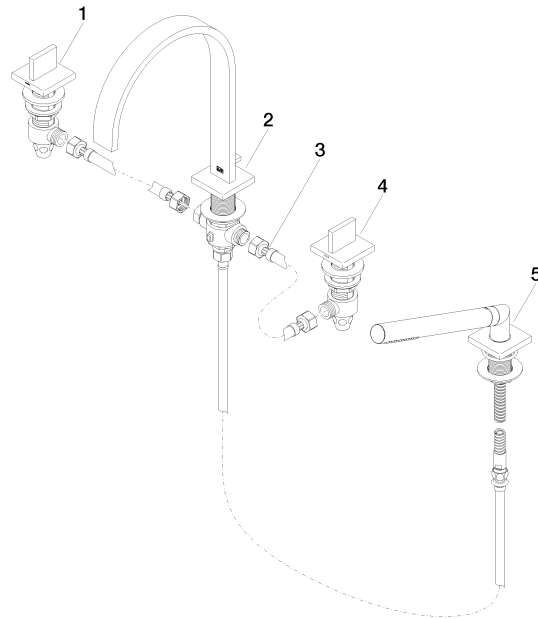
**Flow rate chart**



**Certificates**

WRAS\_2306058.      LGA\_9681.      IAPMO\_4976 (4).      Belgaqua\_21-026-27\_4.

27 532 782



**Spare parts list**

No.	Item Number	Name	Quantity used	Delivery time
1	20 000 783-99	MEM Deck valve anti-clockwise closing hot - Brushed Dark Platinum	1	30
2	13 512 782-99	spout	1	60
3	12 502 970 90	High pressure hose 1/2" x 1/2" x 400 mm -	1	2
4	20 000 782-99	MEM Deck valve clockwise closing cold - Brushed Dark Platinum	1	30
5	27 702 980-99	Hand shower set for bath rim or tile edge installation - Brushed Dark Platinum	1	30