

27 701 670



Fits: IMO, LULU, MADISON, MEM, TARA, CL.1, LISSÉ, VAIA

- wall bracket with integrated safety shut off valve
- max. standing pressure: 5bar
- hand shower with back flow preventer
- 1/2" shower outlet
- rosette Ø 60 mm
- metal shower hose 1250mm with integrated anti-twist protection

This product does not provide intrinsic protection against backflow in accordance with DIN EN 1717. This product must not be installed and operated in countries where compliance with DIN EN 1717 is stipulated.

	Brushed Bronze	27 701 670-42
	Chrome	27 701 670-00
	Brushed Platinum	27 701 670-06
	Platinum	27 701 670-08
	Dark Chrome	27 701 670-19
	Brushed Light Gold	27 701 670-27
	Brushed Durabronze (23kt Gold)	27 701 670-28
	Brushed Champagne (22kt Gold)	27 701 670-46
	Champagne (22kt Gold)	27 701 670-47
	Brushed Chrome	27 701 670-93
	Brushed Dark Platinum	27 701 670-99

**Recommended miscellaneous**



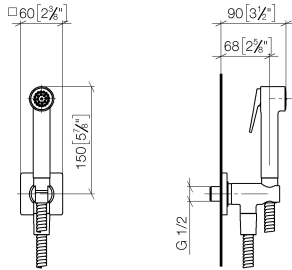
**Concealed wall elbow -**

35 085 970 90

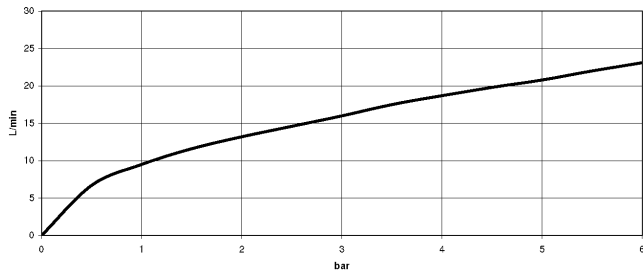
- min. recess depth 90 mm
- max. recess depth 163 mm

27 701 670

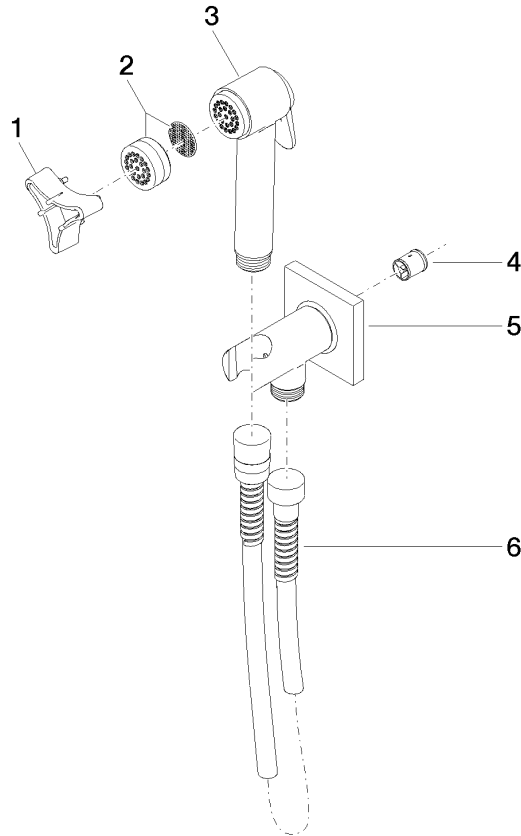
mm [inches]



Flow rate chart



27 701 670



### Spare parts list

No.	Item Number	Name	Quantity used	Delivery time
1	09 30 09 029 90	key	1	2
2	12 861 970-42	accessories	1	-
Spare part can no longer be ordered, please order the replacement item				
3	90 12 11 107 00-42	shower	1	30
4	09 23 01 097 90	back-flow preventer	1	2
5	90 11 03 002 00-42	connection	1	30
6	90 30 02 001 00-42	hose	1	30