

VAIA Hand shower set for bath rim or tile edge installation - Brushed Platinum

27 702 809 Product version from 3/13/2017 to 5/15/2020



- COMPACT RAIN, max. flow rate 6.8 l/min (at 3 bar)
- with anti-scale system
- rosette Ø 60 mm
- hole diameter 32 mm
- metal shower hose 1750mm with integrated anti-twist protection
- WRAS

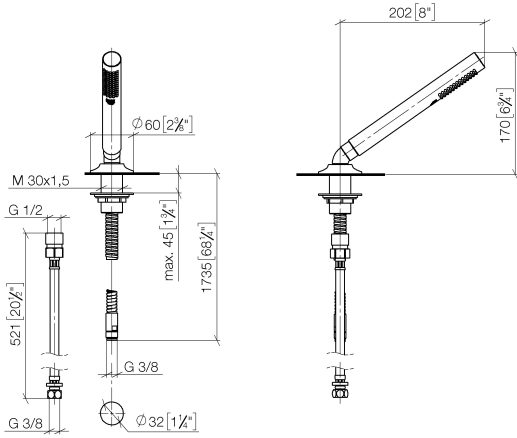
Intrinsic protection against back flow.

	Brushed Platinum	27 702 809-06
	Chrome	27 702 809-00
	Platinum	27 702 809-08
	Dark Chrome	27 702 809-19
	Brushed Durabronze (23kt Gold)	27 702 809-28
	Brushed Bronze	27 702 809-42
	Brushed Champagne (22kt Gold)	27 702 809-46
	Champagne (22kt Gold)	27 702 809-47
	Brushed Dark Platinum	27 702 809-99

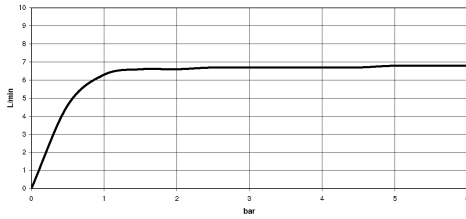
VAIA Hand shower set for bath rim or tile edge installation - Brushed Platinum

27 702 809 Product version from 3/13/2017 to 5/15/2020

mm [inches]



Flow rate chart



Codes & Standards

ASME A112.18.1	cUPC	DIN 4109	EN 1717
ISO 3822	Scottish Water Byelaws	UK Water Supply Regulations	Ü-Zeichen



VAIA Hand shower set for bath rim or tile edge installation - Brushed Platinum

27 702 809 Product version from 3/13/2017 to 5/15/2020

Certificates

LGA_28

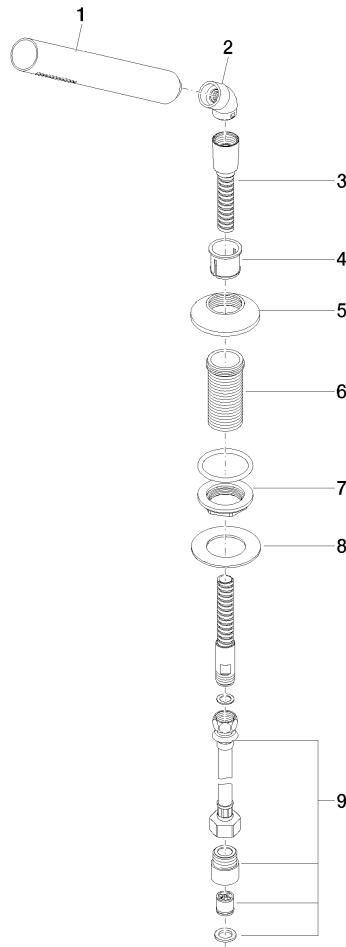
Belgaqua_22_282_2 IAPMO_4976

WRAS_2209

VAIA Hand shower set for bath rim or tile edge installation - Brushed Platinum

27 702 809 Product version from 3/13/2017 to 5/15/2020

Parts for other finishes can be found here: [Chrome](#)



Spare parts list

No.	Item Number	Name	Quantity used	Delivery time
1	90 12 11 140 41-06	shower	1	10
2	90 24 04 019 00-06	angle	1	10
3	28 322 970-06	Metal shower hose 1/2" x 3/8" x 1750 mm - Brushed Platinum	1	2
4	90 18 40 085 00 90	sleeve	1	2
5	09 27 80 016-06	rosette	1	10
6	09 30 01 090-07	sleeve	1	30
7	04 23 10 032 46 90	fixing set	1	2
8	09 30 11 060 90	disc	1	2
9	12 505 970 90	High pressure hose 1/2" x 3/8" x 500 mm -	1	2