

**VAIA Hand shower set for bath rim or tile edge installation - Dark Chrome**

27 702 809



- COMPACT RAIN, max. flow rate 6.8 l/min (at 3 bar)
- with anti-scale system
- rosette Ø 60 mm
- hole diameter 32 mm
- metal shower hose 1750mm with integrated anti-twist protection
- WRAS

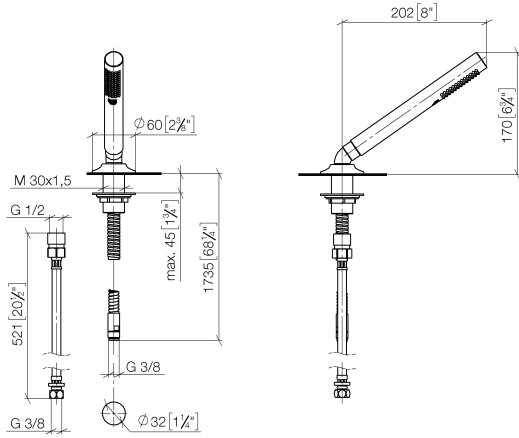
Intrinsic protection against back flow.

	Dark Chrome	27 702 809-19
	Chrome	27 702 809-00
	Brushed Platinum	27 702 809-06
	Platinum	27 702 809-08
	Brushed Durabronze (23kt Gold)	27 702 809-28
	Brushed Bronze	27 702 809-42
	Brushed Champagne (22kt Gold)	27 702 809-46
	Champagne (22kt Gold)	27 702 809-47
	Brushed Dark Platinum	27 702 809-99

**VAIA Hand shower set for bath rim or tile edge installation - Dark Chrome**

27 702 809

mm [inches]



**Flow rate chart**



**Codes & Standards**

ASME A112.18.1

cUPC

EN 1717

Scottish Water  
Byelaws

UK Water Supply  
Regulations



## VAIA Hand shower set for bath rim or tile edge installation - Dark Chrome

---

27 702 809

### Certificates

---

Belgaqua\_22\_282\_2 IAPMO\_4976 WRAS\_2209

# VAIA Hand shower set for bath rim or tile edge installation - Dark Chrome

27 702 809

Parts for other finishes can be found here: [Chrome](#)

