

**WATER TUBE Kneipp wall elbow with individual rosettes with hose holder -  
Matte Black**

IMO

27 822 979



Fits: IMO, MEM, CL.1, CYO

- laminar flow
- Max. flow rate l/min (at 3 bar)
- rosette 60 x 60 mm
- holder for Kneipp hose
- 1/2" wall elbow
- without hose

Intrinsic protection against back flow.

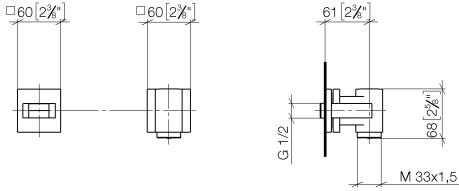
Product change as of 1.4.2023: max. flow 15 l/min

	Matte Black	27 822 979-33
	Chrome	27 822 979-00
	Brushed Platinum	27 822 979-06
	Platinum	27 822 979-08
	Dark Chrome	27 822 979-19
	Brushed Durabronze (23kt Gold)	27 822 979-28
	Brushed Champagne (22kt Gold)	27 822 979-46
	Champagne (22kt Gold)	27 822 979-47
	Brushed Chrome	27 822 979-93
	Brushed Dark Platinum	27 822 979-99

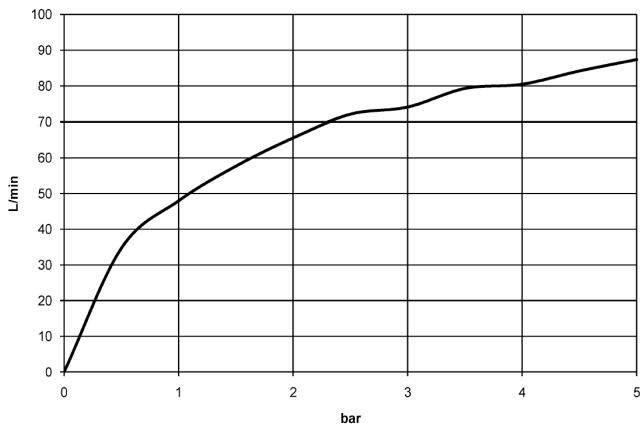
WATER TUBE Kneipp wall elbow with individual rosettes with hose holder -  
Matte Black

IMO

27 822 979  
mm [inches]



Flow rate chart



Codes & Standards

EN 1717



**WATER TUBE Kneipp wall elbow with individual rosettes with hose holder -  
Matte Black**

---

IMO

27 822 979

Certificates

---

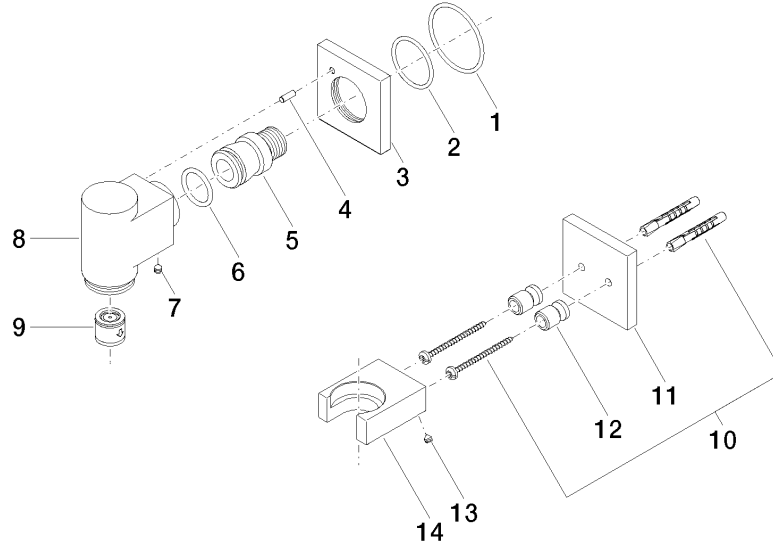
Belgaqua\_22\_280\_2

WATER TUBE Kneipp wall elbow with individual rosettes with hose holder -  
Matte Black

27 822 979

Product version from 3/12/2018

Parts for other  
finishes can be found  
here: [Chrome](#)





WATER TUBE Kneipp wall elbow with individual rosettes with hose holder -  
Matte Black

---

IMO

27 822 979

## **Spare parts list**

**Product version from 3/12/2018**