

**WATER TUBE Kneipp wall elbow with hose holder with individual rosettes -
Platinum**

LULU

27 823 979



Fits: LULU, MADISON, TARA, LISSÉ, VAIA,
META

- LAMINAR FLOW, max. flow rate 15 l/min (at 3 bar)
- with volume control
- rosette Ø 60 mm
- holder for Kneipp hose
- 1/2" wall elbow
- without hose

Intrinsic protection against back flow.

Product change as of 1.4.2023: max. flow 15 l/min

| | | |
|--|-------------------------------------|---------------|
| | Platinum | 27 823 979-08 |
| | Chrome | 27 823 979-00 |
| | Brushed Platinum | 27 823 979-06 |
| | Dark Chrome | 27 823 979-19 |
| | Light Gold | 27 823 979-26 |
| | Brushed Light Gold | 27 823 979-27 |
| | Brushed Durabronze (23kt Gold) | 27 823 979-28 |
| | Matte Black | 27 823 979-33 |
| | Brushed Bronze | 27 823 979-42 |
| | Brushed Champagne (22kt Gold) | 27 823 979-46 |
| | Champagne (22kt Gold) | 27 823 979-47 |
| | Brushed Chrome | 27 823 979-93 |
| | Brushed Dark Platinum | 27 823 979-99 |

Recommended miscellaneous

| | | |
|--|--|---------------|
| | Concealed wall elbow - ● max. recess depth 163 mm ● min. recess depth 90 mm | 35 085 970 90 |
|--|--|---------------|

Required miscellaneous

| | | |
|--|--|---------------|
| | WATER TUBE Kneipp hose black 2000 mm - Platinum ● with holding ring ● hose nozzle with sleeve M33 | 28 286 979-08 |
|--|--|---------------|

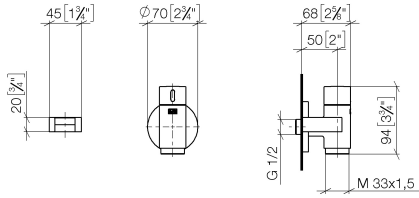
Required miscellaneous

| | | |
|--|--|---------------|
| | WATER TUBE Kneipp hose white 2000 mm - Platinum ● with holding ring ● hose nozzle with sleeve M33 | 28 285 979-08 |
|--|--|---------------|

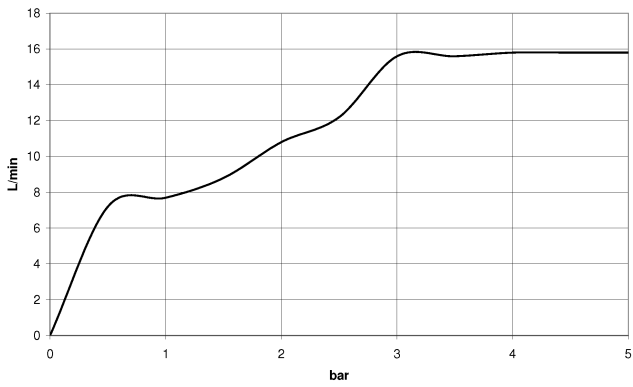
**WATER TUBE Kneipp wall elbow with hose holder with individual rosettes -
Platinum**

LULU

27 823 979
mm [inches]

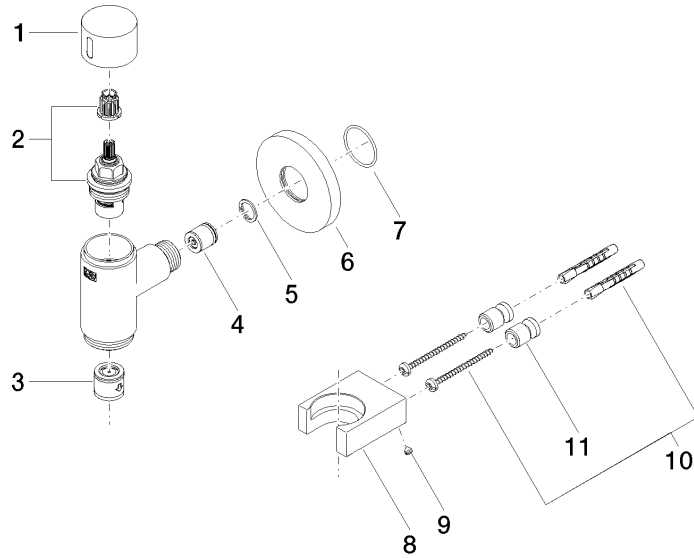


Flow rate chart



27 823 979

Product version from 10/1/2023





WATER TUBE Kneipp wall elbow with hose holder with individual rosettes -
Platinum

LULU

27 823 979

Spare parts list

Product version from 10/1/2023

| No. | Item Number | Name | Quantity used | Delivery time |
|-----|-----------------|--------|---------------|---------------|
| | 09 20 97 021-08 | handle | 11 | 40 |