

**WATER TUBE Kneipp wall elbow with individual rosettes with hose holder
FlowReduce - Brushed Platinum**

IMO

27 842 979



Fits: IMO, MEM, CL.1, CYO

- laminar flow
- rosette 60 x 60 mm
- holder for Kneipp hose
- 1/2" wall elbow
- without hose
- This product can help a building meet the requirements of Green Building Rating Systems, e.g. LEED®, BREEAM®, DGNB

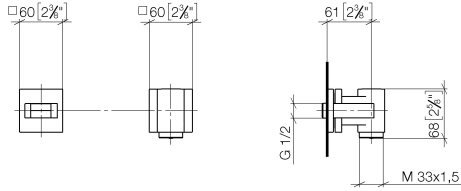
Intrinsic protection against back flow.

	Brushed Platinum	27 842 979-06
	Chrome	27 842 979-00
	Platinum	27 842 979-08
	Dark Chrome	27 842 979-19
	Brushed Light Gold	27 842 979-27
	Brushed Durabronze (23kt Gold)	27 842 979-28
	Matte Black	27 842 979-33
	Brushed Champagne (22kt Gold)	27 842 979-46
	Champagne (22kt Gold)	27 842 979-47
	Brushed Chrome	27 842 979-93
	Brushed Dark Platinum	27 842 979-99

WATER TUBE Kneipp wall elbow with individual rosettes with hose holder
FlowReduce - Brushed Platinum

IMO

27 842 979
mm [inches]



Flow rate chart



Codes & Standards

EN 1717



WATER TUBE Kneipp wall elbow with individual rosettes with hose holder
FlowReduce - Brushed Platinum

IMO

27 842 979

Certificates

Belgaqua_24-007-2



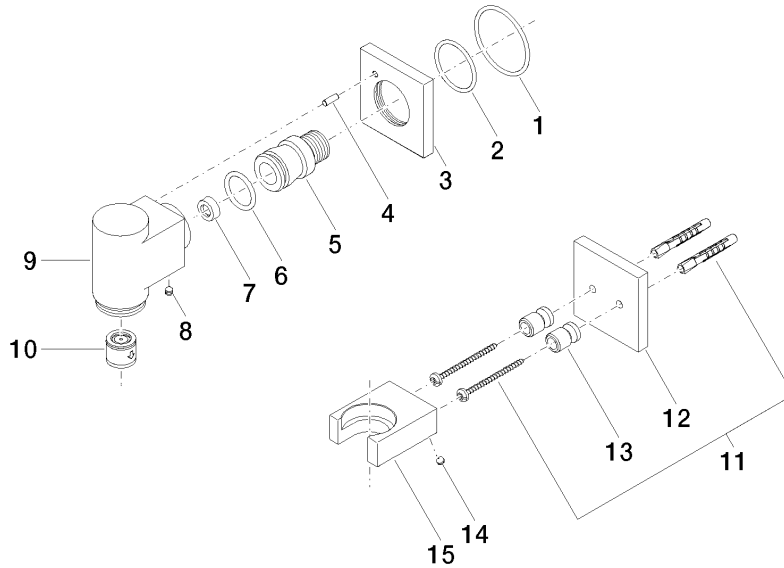
WATER TUBE Kneipp wall elbow with individual rosettes with hose holder FlowReduce - Brushed Platinum

IMO

27 842 979

Product version from 6/1/2024

Parts for other finishes can be found here: [Chrome](#)





WATER TUBE Kneipp wall elbow with individual rosettes with hose holder
FlowReduce - Brushed Platinum

IMO

27 842 979

Spare parts list

Product version from 6/1/2024

No.	Item Number	Name	Quantity used	Delivery time
	90 14 10 049 00 90	seal	16	2