

Rain shower for surface-mounted ceiling installation with light 300 mm - Light Gold

TARA

28 032 970



Fits: TARA, LISSÉ, VAIA, META

- rain shower Ø 300 mm
- PURE RAIN, max. flow rate 12 l/min (at 3 bar)
- PURIFY RAIN, max. flow rate 6 l/min (at 3 bar)
- Distance to ceiling from bottom edge of shower 40 mm
- with anti-scale system
- central LED Spot 3000 K
- Provided by customer: Light switch
- For simultaneous control of the jet types, we recommend the xTool thermostat module
- Not suitable for use in a steam room.

• WRAS 240502006
includes light bulbs with a Class F energy efficiency

includes light bulbs with a Class F energy efficiency

| | | |
|---|-------------------------------|---------------|
|  | Light Gold | 28 032 970-26 |
|  | Chrome | 28 032 970-00 |
|  | Brushed Platinum | 28 032 970-06 |
|  | Platinum | 28 032 970-08 |
|  | Dark Chrome | 28 032 970-19 |
|  | Brushed Light Gold | 28 032 970-27 |
|  | Brushed Durabrass (23kt Gold) | 28 032 970-28 |
|  | Matte Black | 28 032 970-33 |
|  | Brushed Bronze | 28 032 970-42 |
|  | Brushed Champagne (22kt Gold) | 28 032 970-46 |
|  | Champagne (22kt Gold) | 28 032 970-47 |
|  | Brushed Chrome | 28 032 970-93 |
|  | Brushed Dark Platinum | 28 032 970-99 |

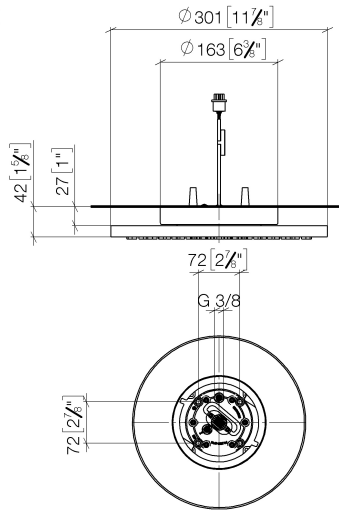
Required miscellaneous



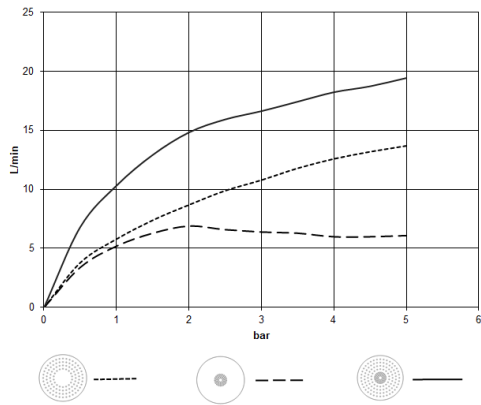
Concealed ceiling installation box for surface-mounted ceiling installation with light - 35 042 970 90

- concealed rough parts
- min. recess depth 90 mm
- max. recess depth 115 mm
- 2x female thread 1/2" connections
- Input 100-240V AC 50-60Hz
- Output 350 mA SELV / Class II
- Provided by customer: Light switch

28 032 970
mm [inches]



Flow rate chart

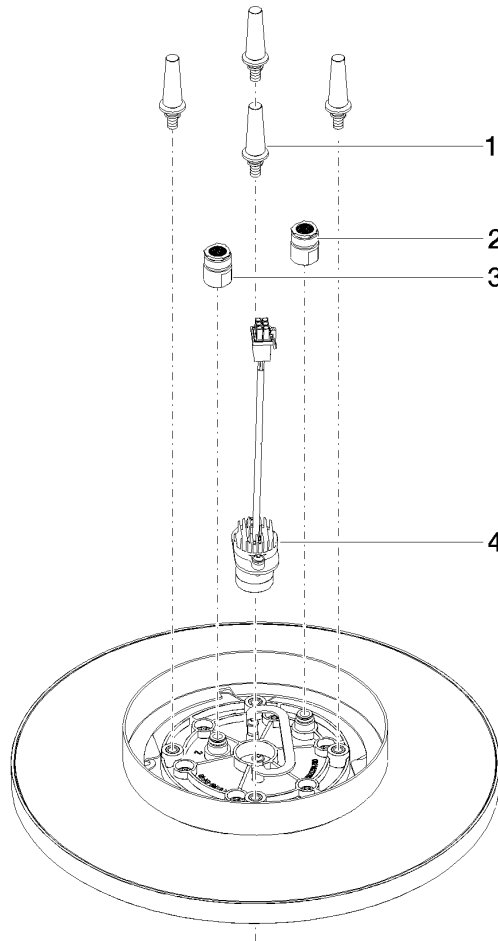


Certificates

LGA_38400.

WRAS_240502006.

28 032 970



Spare parts list

| No. | Item Number | Name | Quantity used | Delivery time |
|-----|--------------------|------------------------|---------------|---------------|
| 1 | 90 17 20 263 00 90 | fixing set | 1 | 2 |
| 2 | 90 24 03 309 01 90 | connection | 1 | 2 |
| 3 | 90 24 03 309 00 90 | connection | 1 | 2 |
| 4 | 90 10 01 225 00 90 | electronic accessories | 1 | 2 |