

Shower head - Platinum

IMO

28 504 670



- 180-210mm projection
- ball-joint pivotable through 30°
- PURIFY RAIN, max. flow rate 7 l/min (at 3 bar)
- with anti-scale system
- spray head Ø 100mm
- rosette 60 x 60 mm
- 1/2" connection
- Function from: 6 l/min

Fits: IMO, MEM, CL.1, CYO

| | | |
|---|-------------------------------------|---------------|
|  | Platinum | 28 504 670-08 |
|  | Chrome | 28 504 670-00 |
|  | Brushed Platinum | 28 504 670-06 |
|  | Dark Chrome | 28 504 670-19 |
|  | Brushed Light Gold | 28 504 670-27 |
|  | Brushed Durabrass (23kt Gold) | 28 504 670-28 |
|  | Matte Black | 28 504 670-33 |
|  | Brushed Champagne (22kt Gold) | 28 504 670-46 |
|  | Champagne (22kt Gold) | 28 504 670-47 |
|  | Brushed Chrome | 28 504 670-93 |
|  | Brushed Dark Platinum | 28 504 670-99 |

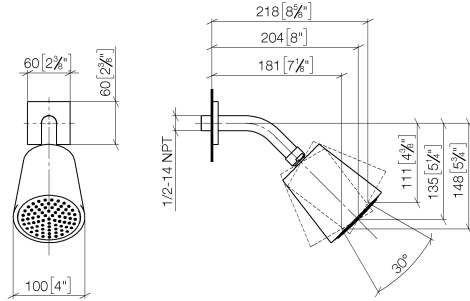
Recommended miscellaneous

- Concealed wall elbow -** 35 085 970 90
- max. recess depth 163 mm
 - min. recess depth 90 mm

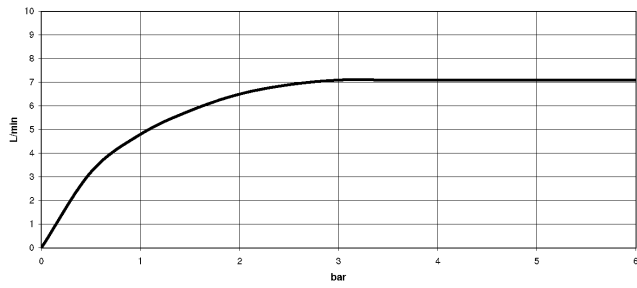


28 504 670

mm [inches]



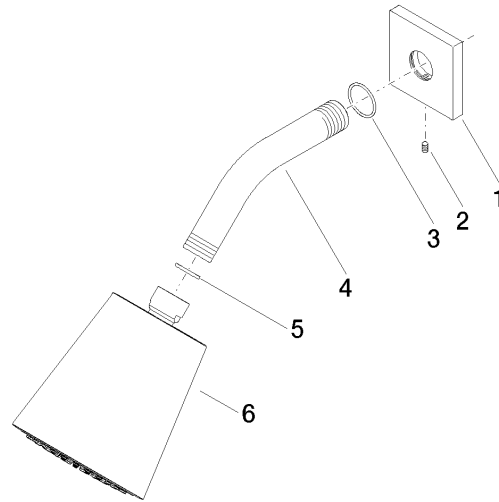
Flow rate chart



Certificates

LGA_19924.

28 504 670



Spare parts list

| No. | Item Number | Name | Quantity used | Delivery time |
|-----|--------------------|------------|---------------|---------------|
| 1 | 09 27 98 003-08 | rosette | 1 | 40 |
| 2 | 09 31 11 048 90 | pin | 1 | 2 |
| 3 | 90 14 10 026 00 90 | seal | 1 | 2 |
| 4 | 09 11 03 011-08 | connection | 1 | 40 |
| 5 | 90 14 20 002 00 90 | seal | 1 | 2 |
| 6 | 90 12 05 054 00-08 | shower | 1 | 40 |