
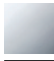

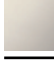



28 786 710



- 450mm projection
- rain shower 300 x 240mm
- PURE RAIN, max. flow rate 20 l/min (at 3 bar)
- Function from: 12 l/min
- rosette 78 x 60 mm
- 1/2" connection
- with anti-scale system
- quick clearing
- WRAS 2212012

Product change as of 1st April 2024: max. flow 20l/min

| | | |
|---|--------------------------------|---------------|
|  | Brushed Dark Platinum | 28 786 710-99 |
|  | Chrome | 28 786 710-00 |
|  | Brushed Platinum | 28 786 710-06 |
|  | Platinum | 28 786 710-08 |
|  | Brushed Durabronze (23kt Gold) | 28 786 710-28 |

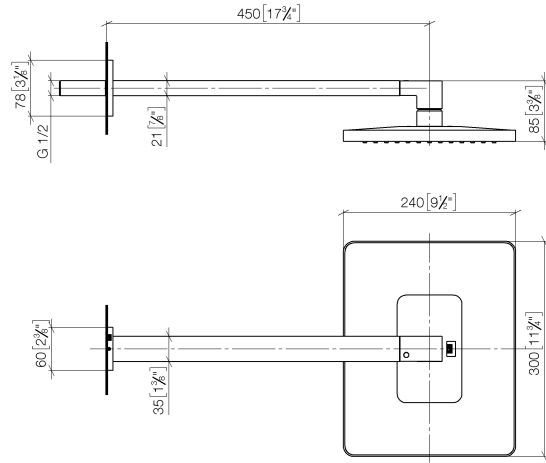
Recommended miscellaneous



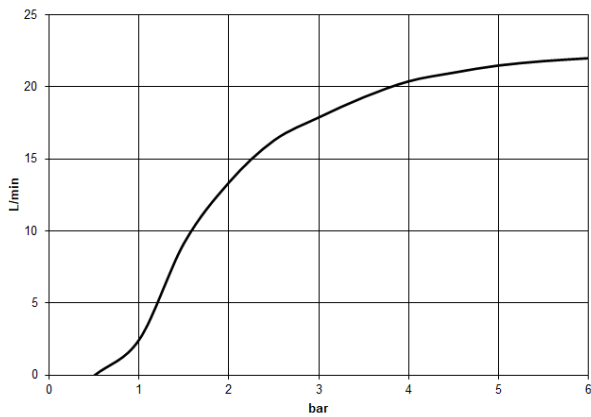
- Concealed wall elbow -** 35 085 970 90
- max. recess depth 163 mm
 - min. recess depth 90 mm

28 786 710

mm [inches]



Flow rate chart



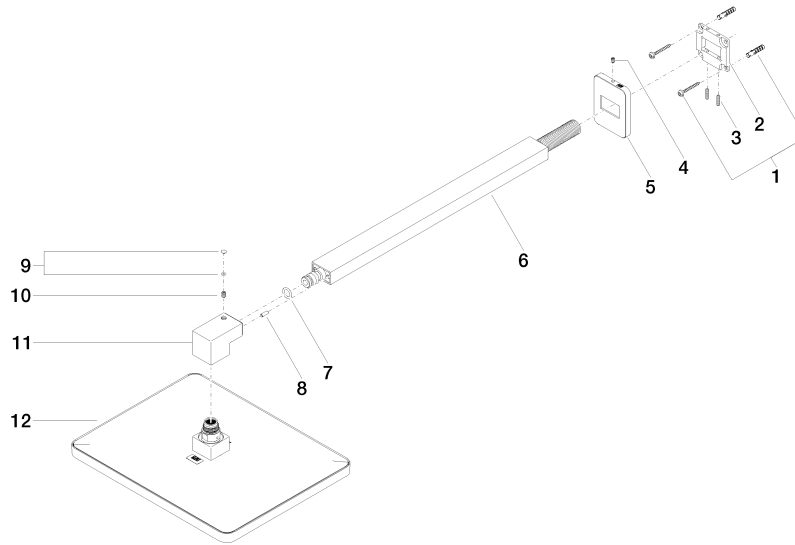
Certificates

LGA_29229.

WRAS_2212012.

LGA_38662.

28 786 710



Spare parts list

| No. | Item Number | Name | Quantity used | Delivery time |
|-----|--------------------|------------|---------------|---------------|
| 1 | 04 30 31 032 00 90 | fixing set | 1 | 2 |
| 2 | 09 30 11 160 90 | disc | 1 | 2 |
| 3 | 09 31 11 084 90 | pin | 2 | 2 |
| 4 | 09 31 11 048 90 | pin | 1 | 2 |
| 5 | 09 27 71 019-99 | rosette | 1 | 30 |
| 6 | 04 28 22 247 20-99 | pipe | 1 | 30 |
| 7 | 90 14 10 011 00 90 | seal | 1 | 2 |
| 8 | 09 31 11 040 90 | pin | 1 | 2 |
| 9 | 90 31 20 087 00-99 | plug | 1 | 30 |
| 10 | 09 31 11 036 90 | pin | 1 | 2 |
| 11 | 09 17 01 180-99 | connection | 1 | 30 |
| 12 | 04 12 05 062 00-99 | shower | 1 | 30 |