

29 127 705



- with WAVES structure
- rotary diverter
- hole diameter 37 mm
- rosette 60 x 60 mm
- 1/2" connection
- max. flow 23.5 l/min at 3 bar flow pressure

Not suitable for combining with Perfecto (12 614 970 90).

Not suitable for combining with Perfecto (12 614 970 90).

Required miscellaneous

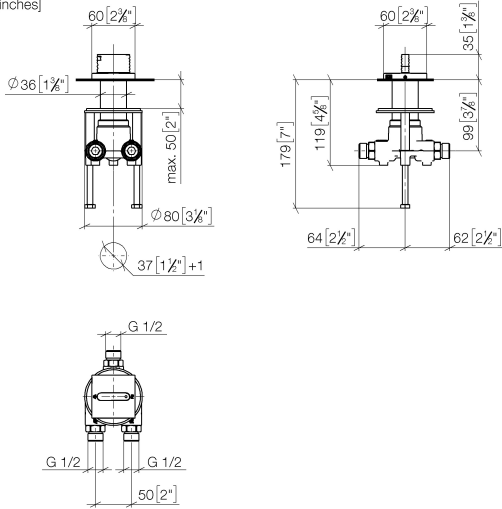


Hose set -

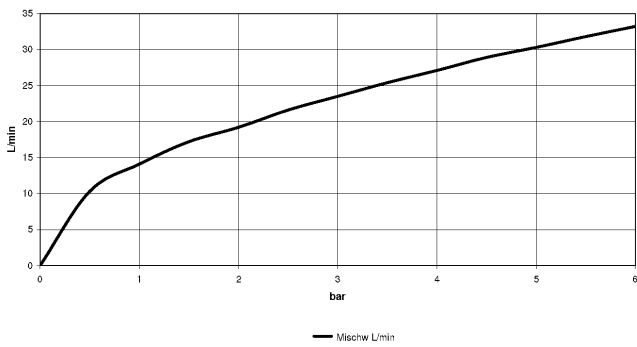
12 509 970 90

29 127 705

mm [inches]



Flow rate chart



Codes & Standards

ASME A112.18.1

cUPC

DIN 4109

ISO 3822

Ü-Zeichen



CL.1 Two-way diverter - Chrome

CL.1

29 127 705

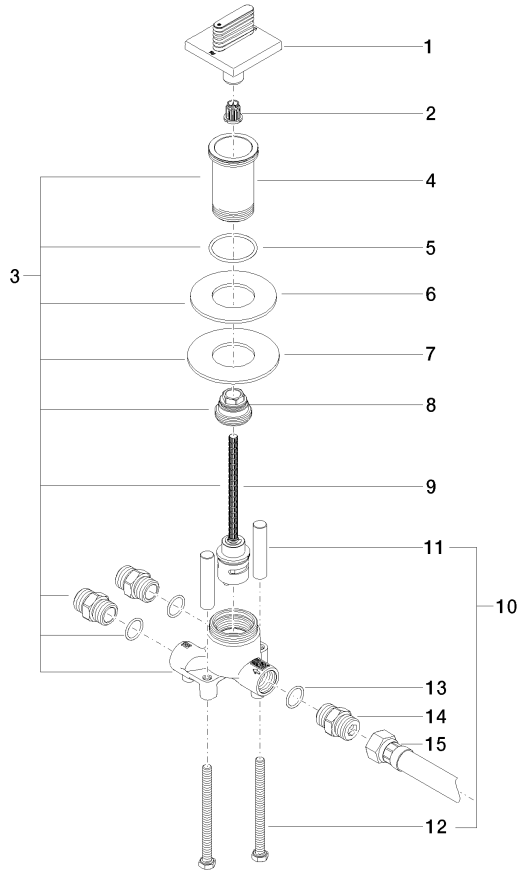
Certificates

LGA_18

IAPMO_4976

29 127 705

Product version from 3/9/2015





CL.1 Two-way diverter - Chrome

CL.1

29 127 705

Spare parts list

Product version from 3/9/2015

No.	Item Number	Name	Quantity used	Delivery time
	90 20 70 056 01-00	handle	21	10