

Two-way diverter for bath rim or tile edge installation - Brushed Chrome

IMO

29 140 670



- automatic bath/shower diverter
- hole diameter 32 mm
- rosette 60 x 60 mm
- 1/2" connection
- max. flow 64.9 l/min at 3 bar flow pressure
- WRAS 1911025

Fits: IMO, MEM, CYO

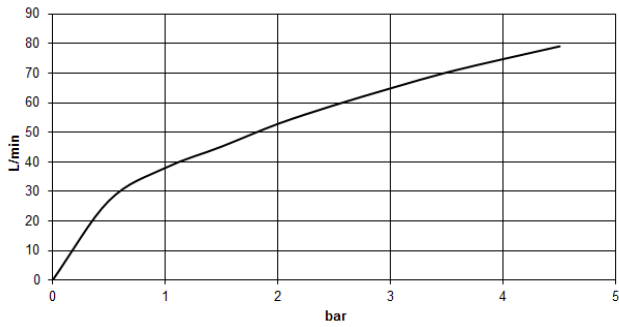
| | | |
|---|-------------------------------------|---------------|
|  | Brushed Chrome | 29 140 670-93 |
|  | Chrome | 29 140 670-00 |
|  | Brushed Platinum | 29 140 670-06 |
|  | Platinum | 29 140 670-08 |
|  | Dark Chrome | 29 140 670-19 |
|  | Brushed Light Gold | 29 140 670-27 |
|  | Brushed Durabronze (23kt Gold) | 29 140 670-28 |
|  | Matte Black | 29 140 670-33 |
|  | Brushed Champagne (22kt Gold) | 29 140 670-46 |
|  | Champagne (22kt Gold) | 29 140 670-47 |
|  | Brushed Dark Platinum | 29 140 670-99 |

29 140 670

mm [inches]



Flow rate chart

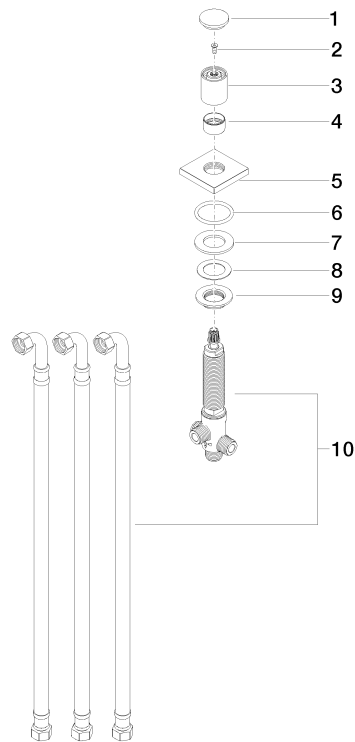


Certificates

WRAS_1911025. LGA_29990. IAPMO_4976 (2).

29 140 670

Parts for other finishes can be found here: [Chrome](#)



Spare parts list

| No. | Item Number | Name | Quantity used | Delivery time |
|-----|--------------------|----------|---------------|---------------|
| 1 | 09 20 71 003-93 | handle | 1 | 20 |
| 2 | 90 30 30 014 00 90 | screw | 1 | 2 |
| 3 | 09 20 71 002-93 | handle | 1 | 20 |
| 4 | 09 16 01 012-93 | ring | 1 | 20 |
| 5 | 09 27 67 006-93 | rosette | 1 | 20 |
| 6 | 90 14 10 043 00 90 | seal | 1 | 2 |
| 7 | 09 14 05 014 90 | seal | 1 | 2 |
| 8 | 09 14 40 002 90 | seal | 1 | 2 |
| 9 | 09 23 10 004 90 | nut | 1 | 2 |
| 10 | 90 17 09 051 00 90 | diverter | 1 | 2 |