








29 217 811

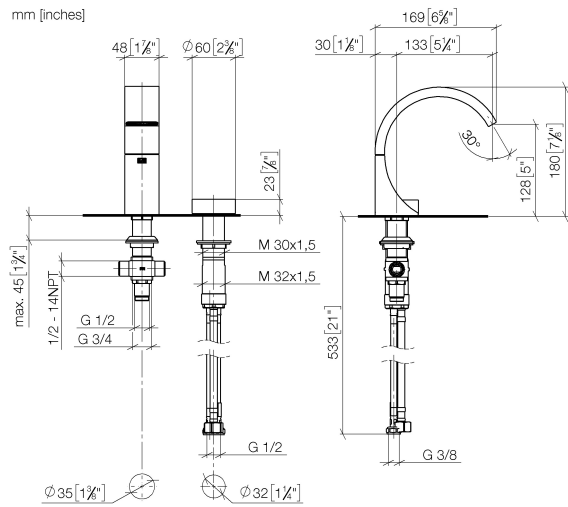


- 133mm projection
- fixed spout
- rectangular, air-enriched flow
- height of mixer 180 mm
- height up to aerator 128 mm
- hole diameter spout 35 mm
- hole diameter valve 32 mm
- handle Ø 60mm
- 2x screw-in M 8 x 1 pressure hose, leak-tested
- 1x screw-in M 10 x 1 pressure hose, leak-tested
- max. flow 4.5 l/min
- progressive cartridge
- lead-free
- This product can help a building meet the requirements of Green Building Rating Systems, e.g. LEED®, BREEAM®, DGNB
- WRAS 2201012

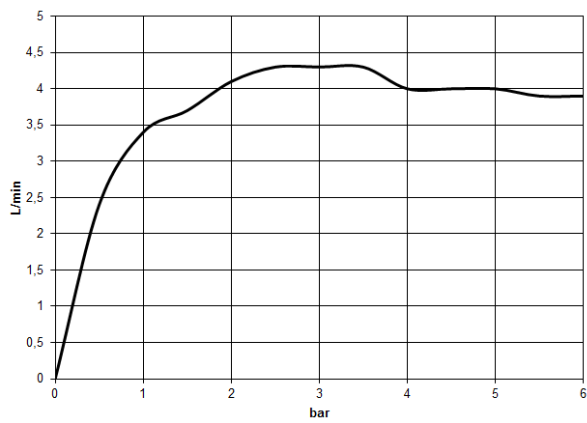
NOTE: The handle inserts must be ordered separately from the fittings!

	Chrome	29 217 811-00
	Brushed Platinum	29 217 811-06
	Dark Chrome	29 217 811-19
	Brushed Durabronze (23kt Gold)	29 217 811-28
	Platinum / Brushed Platinum	29 217 811-36
	Durabronze / Brushed Durabronze (23kt Gold)	29 217 811-38
	Brushed Dark Platinum	29 217 811-99

29 217 811



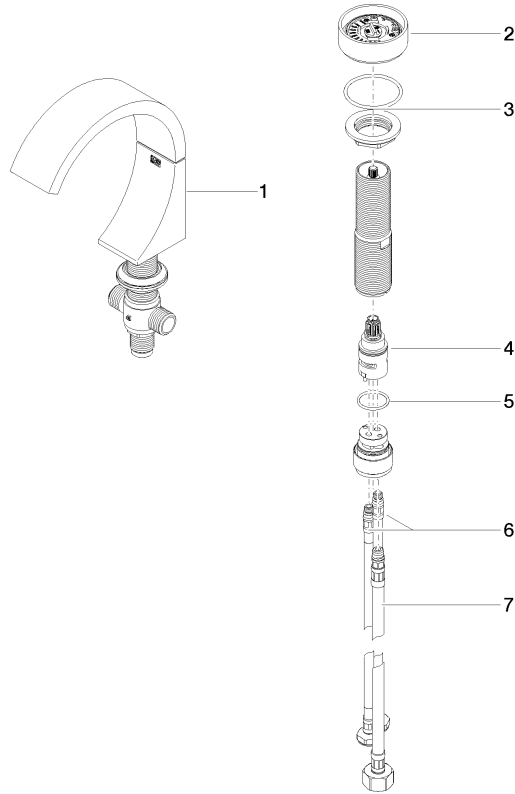
Flow rate chart



Certificates

WRAS_2201012. LGA_38103.

29 217 811



Spare parts list

No.	Item Number	Name	Quantity used	Delivery time
1	13 715 811-00	CYO Deck-mounted basin spout without pop-up waste - Chrome	1	10
2	90 18 40 290 00-00	handle	1	10
3	04 30 11 038 67 90	fixing set	1	2
4	90 90 03 169 00 90	top	1	2
5	09 14 10 112 90	seal	1	2
6	04 30 04 100 00 90	hose	2	2
7	04 30 04 019 00 90	hose	1	2