

CYO Two-hole basin mixer without pop-up waste - Brushed Durabronze (23kt Gold)

CYO

29 217 811



- 133mm projection
- fixed spout
- rectangular, air-enriched flow
- height of mixer 180 mm
- height up to aerator 128 mm
- hole diameter spout 35 mm
- hole diameter valve 32 mm
- handle Ø 60mm
- 2x screw-in M 8 x 1 pressure hose, leak-tested
- 1x screw-in M 10 x 1 pressure hose, leak-tested
- max. flow 4.5 l/min
- progressive cartridge
- lead-free
- This product can help a building meet the requirements of Green Building Rating Systems, e.g. LEED®, BREEAM®, DGNB
- WRAS 2201012

NOTE: The handle inserts must be ordered separately from the fittings!

	Brushed Durabronze (23kt Gold)	29 217 811-28
	Chrome	29 217 811-00
	Brushed Platinum	29 217 811-06
	Dark Chrome	29 217 811-19
	Platinum / Brushed Platinum	29 217 811-36
	Durabronze / Brushed Durabronze (23kt Gold)	29 217 811-38
	Brushed Bronze	29 217 811-42
	Brushed Dark Platinum	29 217 811-99

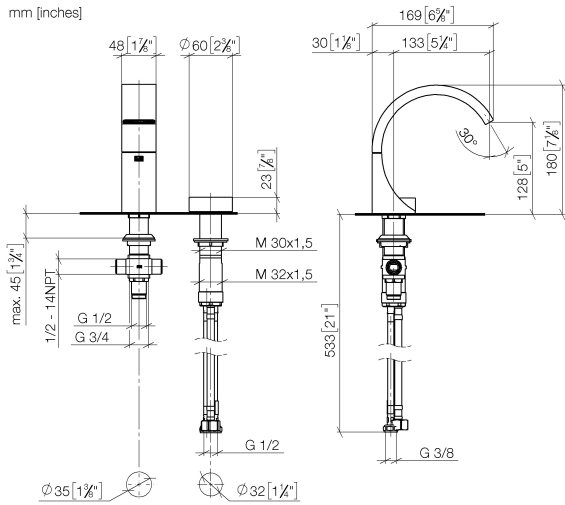


CYO Two-hole basin mixer without pop-up waste - Brushed Durabronz (23kt Gold)

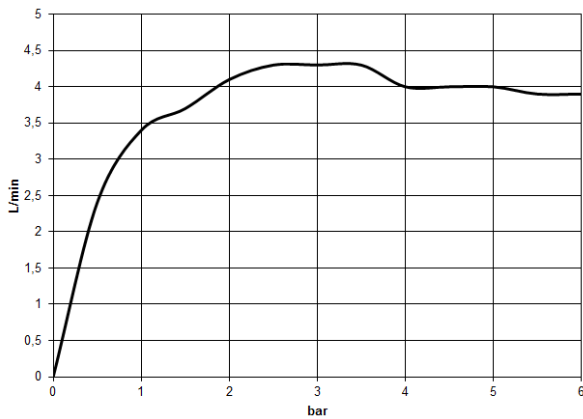
CYO

29 217 811

mm [inches]



Flow rate chart



Codes & Standards

DIN 4109

ISO 3822

Scottish Water
Byelaws

UK Water Supply
Regulations

Ü-Zeichen



CYO Two-hole basin mixer without pop-up waste - Brushed Durabronz (23kt Gold)

CYO

29 217 811
Certificates

LGA_38

WRAS_2201

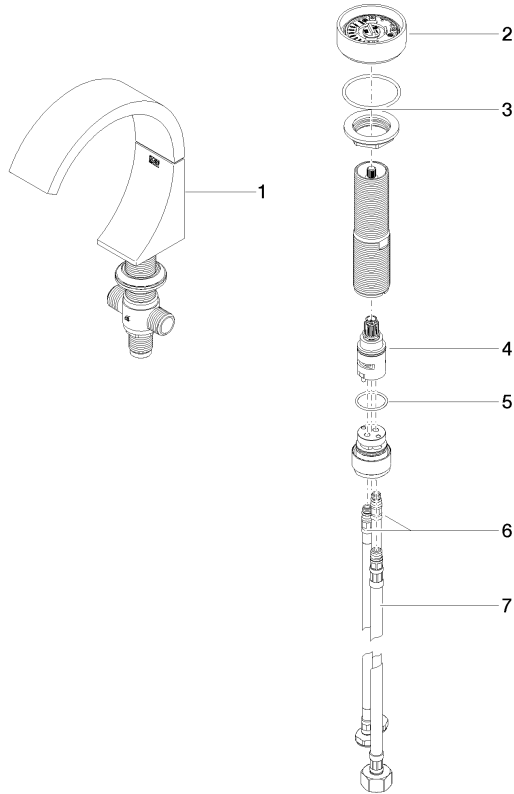


CYO Two-hole basin mixer without pop-up waste - Brushed Durabronz (23kt Gold)

CYO

29 217 811

Parts for other finishes can be found here: [Chrome](#)





CYO Two-hole basin mixer without pop-up waste - Brushed Durabron (23kt Gold)

CYO

29 217 811

Spare parts list

No.	Item Number	Name	Quantity used	Delivery time
	13 715 811-28	CYO Deck-mounted basin spout without pop-up waste - Brushed Durabron (23kt Gold)	8	20