

32 800 790



- 235mm projection
- pivotable spout 360°
- spout, end-piece with 20° rotation
- air-enriched flow
- height of mixer 337 mm
- height up to aerator 297 mm
- individual rosettes Ø 55mm
- hole diameter spout 35 mm
- single-lever mixer hole diameter 35 mm
- max. flow 8 l/min at 3 bar flow pressure
- lead-free
- This product can help a building meet the requirements of Green Building Rating Systems, e.g. LEED®, BREEAM®, DGNB
- WRAS 2107024

Operating unit can be positioned freely.

	Platinum	32 800 790-08
	Chrome	32 800 790-00
	Brushed Platinum	32 800 790-06
	Dark Chrome	32 800 790-19
	Brushed Durabronze (23kt Gold)	32 800 790-28
	Brushed Champagne (22kt Gold)	32 800 790-46
	Champagne (22kt Gold)	32 800 790-47
	Brushed Chrome	32 800 790-93
	Brushed Dark Platinum	32 800 790-99

**Recommended miscellaneous**

**Strainer waste with control handle - Platinum** 10 710 970-08

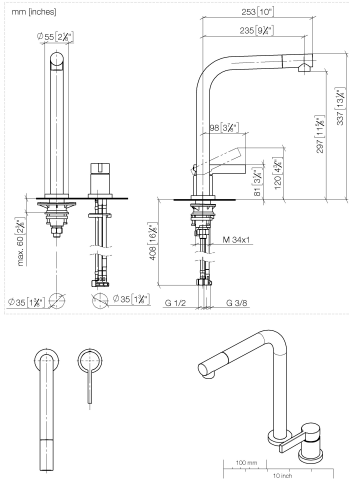


**Recommended miscellaneous**

**Dispenser with rosette - Platinum** 82 444 970-08



32 800 790



**Flow rate chart**



**Codes & Standards**

DIN 4109	EN 817	ISO 3822	Scottish Water Byelaws
UK Water Supply Regulations	Ü-Zeichen	VA-Zeichen	



ELIO Two-hole mixer with individual rosettes - Platinum

---

ELIO

32 800 790

Certificates

---

WRAS\_2107

LGA\_18

ETA\_18

32 800 790

Product version from 5/31/2010 to 5/15/2020

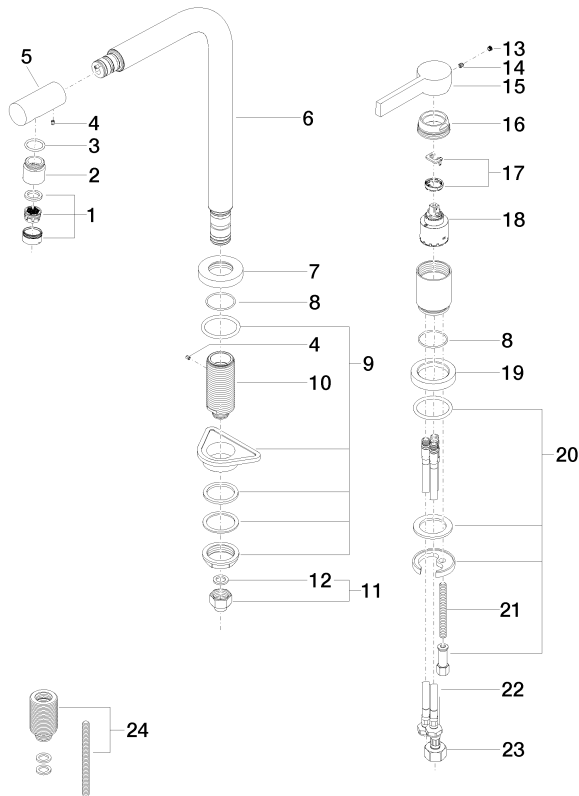
Product version from 5/15/2020 to 3/10/2021

Product version from 3/10/2021 to 5/4/2021

Product version from 5/4/2021

**Product version from 6/1/2022**

Parts for other finishes can be found here: [Chrome](#)





## ELIO Two-hole mixer with individual rosettes - Platinum

ELIO

32 800 790

### Spare parts list

Product version from 5/31/2010 to 5/15/2020

Product version from 5/15/2020 to 3/10/2021

Product version from 3/10/2021 to 5/4/2021

Product version from 5/4/2021

### Product version from 6/1/2022

No.	Item Number	Name	Quantity used	Delivery time
	90 23 01 026 07-08	aerator	27	40