

LOT BAR TAP Two-hole mixer with individual rosettes - Dark Chrome

LOT

32 805 680



- 165mm projection
- pivotable spout 360°
- air-enriched flow
- height of mixer 230 mm
- height up to laminar flow regulator 205 mm
- individual rosette 55 x 55 mm
- hole diameter spout 35 mm
- single-lever mixer hole diameter 44 mm
- max. flow 8 l/min at 3 bar flow pressure
- lead-free
- WRAS 1909073
- This product can help a building meet the requirements of Green Building Rating Systems, e.g. LEED®, BREEAM®, DGNB

Operating unit can be positioned freely.

	Dark Chrome	32 805 680-19
	Chrome	32 805 680-00
	Brushed Platinum	32 805 680-06
	Platinum	32 805 680-08
	Brushed Durabronz (23kt Gold)	32 805 680-28
	Brushed Champagne (22kt Gold)	32 805 680-46
	Champagne (22kt Gold)	32 805 680-47
	Brushed Dark Platinum	32 805 680-99

Recommended miscellaneous

Strainer waste with control handle - Dark Chrome 10 711 970-19

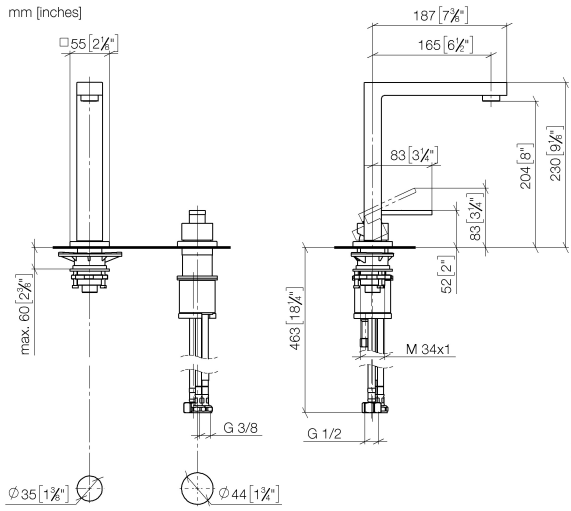


Recommended miscellaneous

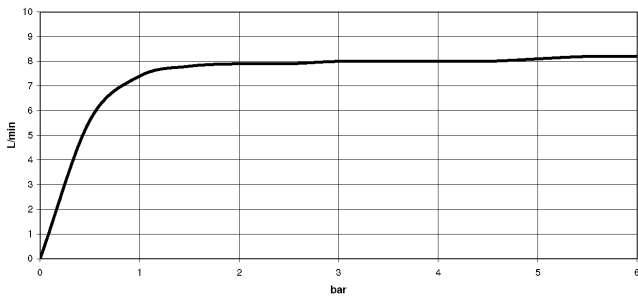
Dispenser with rosette - Dark Chrome 82 439 970-19



32 805 680



Flow rate chart



Codes & Standards

DIN 4109

Executive Order
no. 1007

ISO 3822

Ü-Zeichen



LOT BAR TAP Two-hole mixer with individual rosettes - Dark Chrome

LOT

32 805 680

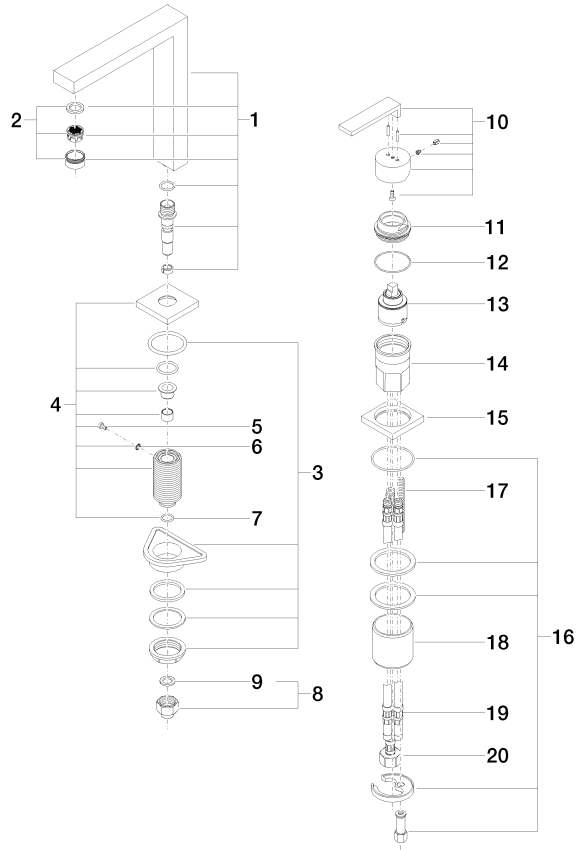
Certificates

LGA_18

GDV_0400

32 805 680

Parts for other finishes can be found here: [Chrome](#)





LOT BAR TAP Two-hole mixer with individual rosettes - Dark Chrome

LOT

32 805 680

Spare parts list