

MEM Two-hole mixer with individual rosettes - Chrome

MEM

32 815 682



- 241mm projection
- pivotable spout 360°
- Optional swivel limiter available with swivel limiter set 12 820 970 90
- air-enriched flow
- max. flow 6.3 l/min at 3 bar flow pressure
- lead-free
- This product can help a building meet the requirements of Green Building Rating Systems, e.g. LEED®, BREEAM®, DGNB

Operating unit can be positioned freely.

| | | |
|---|-------------------------------|---------------|
|  | Chrome | 32 815 682-00 |
|  | Brushed Platinum | 32 815 682-06 |
|  | Platinum | 32 815 682-08 |
|  | Durabrass (23kt Gold) | 32 815 682-09 |
|  | Dark Chrome | 32 815 682-19 |
|  | Brushed Durabrass (23kt Gold) | 32 815 682-28 |
|  | Matte Black | 32 815 682-33 |
|  | Brushed Champagne (22kt Gold) | 32 815 682-46 |
|  | Champagne (22kt Gold) | 32 815 682-47 |
|  | Brushed Chrome | 32 815 682-93 |
|  | Brushed Dark Platinum | 32 815 682-99 |

Recommended miscellaneous

Swivel limitation set - 12 820 970 90



Recommended miscellaneous

Dispenser with rosette - Chrome 82 444 970-00

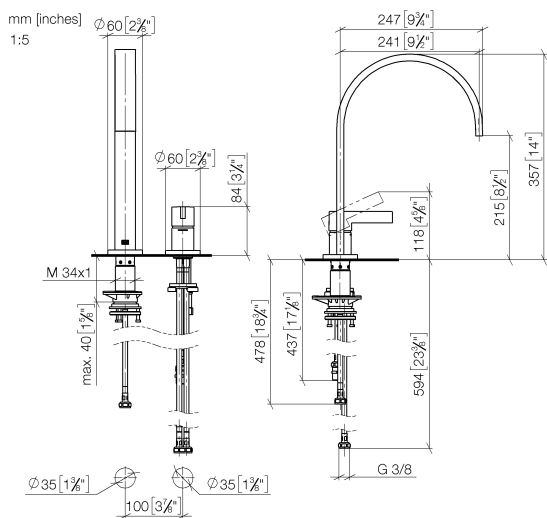


Recommended miscellaneous

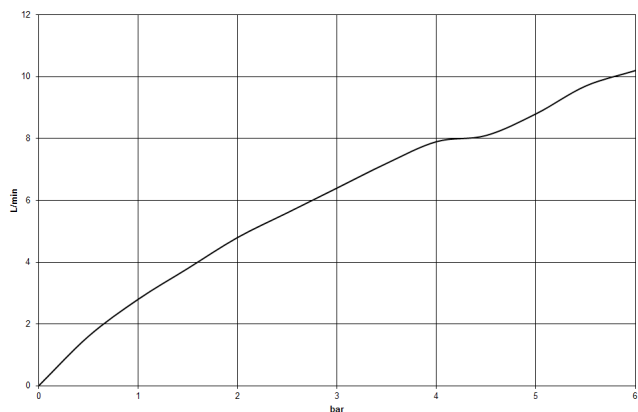
Strainer waste with control handle - Chrome 10 710 970-00



32 815 682



Flow rate chart

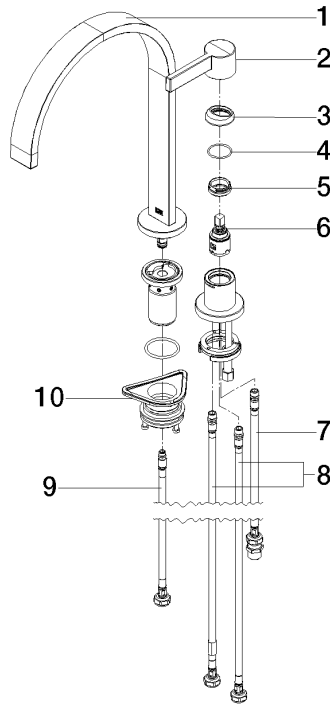


Certificates

LGA_38640.

WRAS_240102013.

32 815 682



Spare parts list

| No. | Item Number | Name | Quantity used | Delivery time |
|--|--------------------|------------|---------------|---------------|
| 1 | 90 28 22 390 00-00 | spout | 1 | 10 |
| 2 | 90 20 87 003 00-00 | handle | 1 | - |
| Spare part can no longer be ordered, please order the replacement item | | | | |
| 3 | 09 28 30 026-00 | cover | 1 | 10 |
| 4 | 09 14 10 091 90 | seal | 1 | 2 |
| 5 | 09 24 04 266 90 | nut | 1 | 2 |
| 6 | 90 15 05 042 00 90 | cartridge | 1 | 2 |
| 7 | 04 30 04 104 00 90 | hose | 1 | 2 |
| 8 | 04 30 04 105 00 90 | hose | 2 | 2 |
| 9 | 04 30 04 100 00 90 | hose | 1 | 2 |
| 10 | 90 30 10 057 00 90 | fixing set | 1 | - |
| Spare part can no longer be ordered, please order the replacement item | | | | |