

META SQUARE Two-hole mixer with individual rosettes - Brushed Champagne (22kt Gold)

META SQUARE

32 815 861



- 235mm projection
- pivotable spout 360°
- Optional swivel limiter available with swivel limiter set 12 820 970 90
- air-enriched flow
- max. flow 8 l/min at 3 bar flow pressure
- This product can help a building meet the requirements of Green Building Rating Systems, e.g. LEED®, BREEAM®, DGNB
- lead-free
- WRAS 240102014

Operating unit can be positioned freely.

	Brushed Champagne (22kt Gold)	32 815 861-46
	Chrome	32 815 861-00
	Brushed Platinum	32 815 861-06
	Platinum	32 815 861-08
	Durabrand (23kt Gold)	32 815 861-09
	Dark Chrome	32 815 861-19
	Brushed Durabrand (23kt Gold)	32 815 861-28
	Matte Black	32 815 861-33
	Champagne (22kt Gold)	32 815 861-47
	Brushed Chrome	32 815 861-93
	Brushed Dark Platinum	32 815 861-99

Recommended miscellaneous



Swivel limitation set - 12 820 970 90

Recommended miscellaneous



Dispenser with rosette - Brushed Champagne (22kt Gold) 82 444 970-46

Recommended miscellaneous

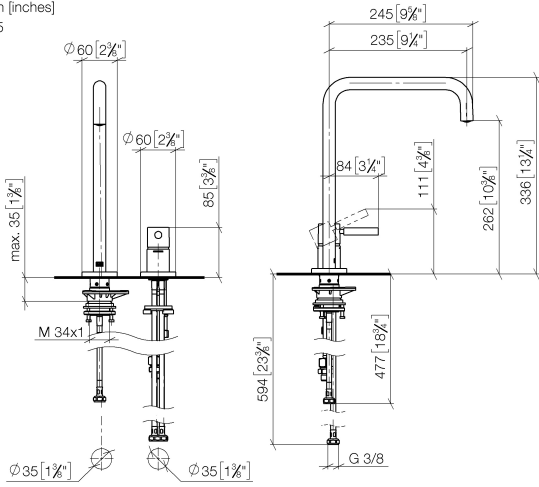


Strainer waste with control handle - Brushed Champagne (22kt Gold) 10 710 970-46

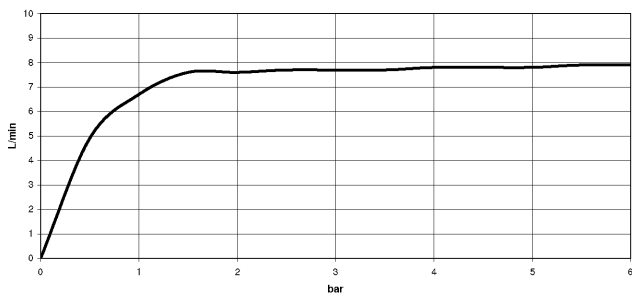
META SQUARE Two-hole mixer with individual rosettes - Brushed Champagne (22kt Gold)

META SQUARE

32 815 861
mm [inches]
1:5



Flow rate chart



Codes & Standards

DIN 4109

ISO 3822

Scottish Water
Byelaws

UK Water Supply
Regulations

Ü-Zeichen

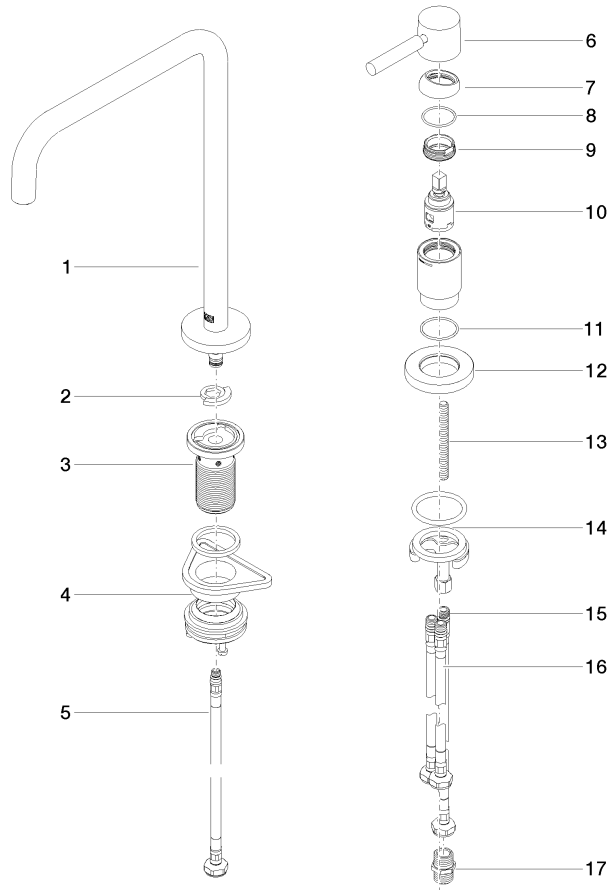


META SQUARE Two-hole mixer with individual rosettes - Brushed Champagne META SQUARE
(22kt Gold)

32 815 861
Certificates

WRAS_240102 LGA_38

32 815 861





META SQUARE Two-hole mixer with individual rosettes - Brushed Champagne (22kt Gold) META SQUARE

32 815 861

Spare parts list

No.	Item Number	Name	Quantity used	Delivery time
	90 28 22 287 00-46	spout	18	-

Spare part can no longer be ordered, please order the replacement item
