

**TARA ULTRA Two-hole mixer with individual rosettes - Brushed Durabron (23kt Gold)**

TARA ULTRA

32 815 875



- 241mm projection
- pivotable spout 360°
- Optional swivel limiter available with swivel limiter set 12 820 970 90
- air-enriched flow
- max. flow 8 l/min at 3 bar flow pressure
- lead-free
- This product can help a building meet the requirements of Green Building Rating Systems, e.g. LEED®, BREEAM®, DGNB
- WRAS 240102014


Operating unit can be positioned freely.

	Brushed Durabron (23kt Gold)	32 815 875-28
	Chrome	32 815 875-00
	Brushed Platinum	32 815 875-06
	Platinum	32 815 875-08
	Durabron (23kt Gold)	32 815 875-09
	Dark Chrome	32 815 875-19
	Matte Black	32 815 875-33
	Brushed Champagne (22kt Gold)	32 815 875-46
	Champagne (22kt Gold)	32 815 875-47
	Brushed Chrome	32 815 875-93
	Brushed Dark Platinum	32 815 875-99

**Recommended miscellaneous**

	<b>Swivel limitation set -</b>	12 820 970 90
---	--------------------------------	---------------

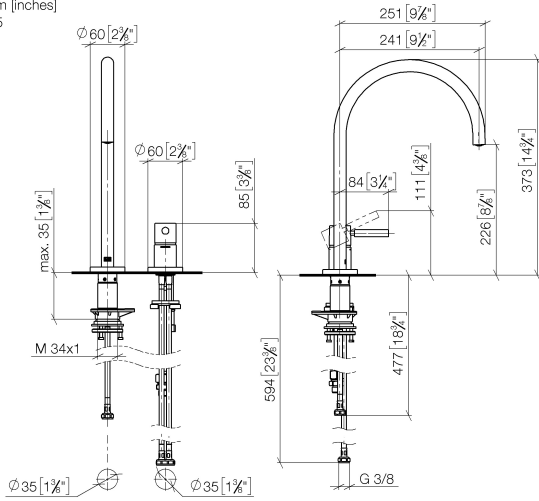
**Recommended miscellaneous**

	<b>Strainer waste with control handle - Brushed Durabron (23kt Gold)</b>	10 710 970-28
---	--	---------------

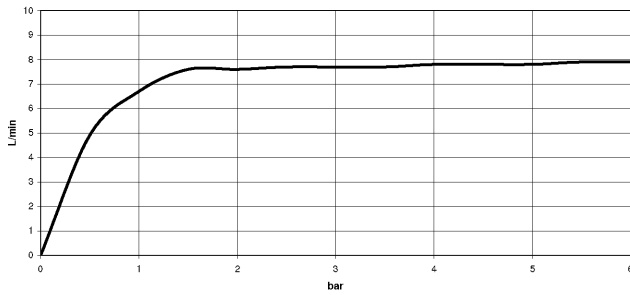
**Recommended miscellaneous**

	<b>Dispenser with rosette - Brushed Durabron (23kt Gold)</b>	82 444 970-28
---	--	---------------

32 815 875  
mm [inches]  
1:5



**Flow rate chart**



**Codes & Standards**

DIN 4109

ISO 3822

Scottish Water  
Byelaws

UK Water Supply  
Regulations

**Ü-Zeichen**



TARA ULTRA Two-hole mixer with individual rosettes - Brushed Durabronz  
(23kt Gold)

---

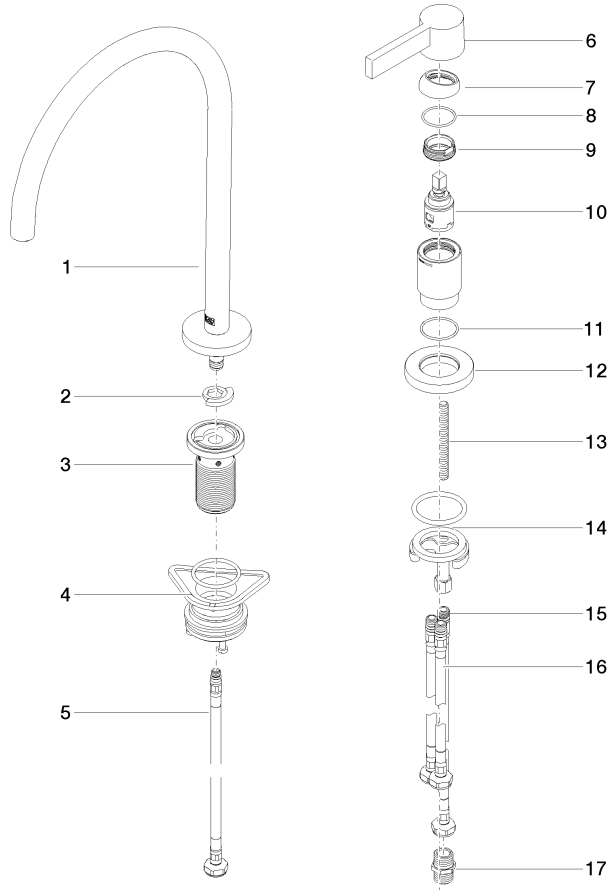
TARA ULTRA

32 815 875  
Certificates

---

WRAS\_240102      LGA\_38

32 815 875





TARA ULTRA Two-hole mixer with individual rosettes - Brushed Durabronz  
(23kt Gold)

TARA ULTRA

32 815 875

**Spare parts list**

No.	Item Number	Name	Quantity used	Delivery time
	90 28 22 377 00-28	spout	18	-

Spare part can no longer be ordered, please order the replacement item