

TARA Two-hole mixer with individual rosettes - Brushed Champagne (22kt Gold)

TARA

32 815 888



- 236mm projection
- pivotable spout 360°
- air-enriched flow
- max. flow 8.3 l/min at 3 bar flow pressure
- lead-free
- This product can help a building meet the requirements of Green Building Rating Systems, e.g. LEED®, BREEAM®, DGNB
- WRAS 240102014

Operating unit can be positioned freely.

| | | |
|---|-------------------------------|---------------|
|  | Brushed Champagne (22kt Gold) | 32 815 888-46 |
|  | Chrome | 32 815 888-00 |
|  | Brushed Platinum | 32 815 888-06 |
|  | Platinum | 32 815 888-08 |
|  | Durabrand (23kt Gold) | 32 815 888-09 |
|  | Dark Chrome | 32 815 888-19 |
|  | Brushed Durabrand (23kt Gold) | 32 815 888-28 |
|  | Matte Black | 32 815 888-33 |
|  | Champagne (22kt Gold) | 32 815 888-47 |
|  | Brushed Chrome | 32 815 888-93 |
|  | Brushed Dark Platinum | 32 815 888-99 |

Recommended miscellaneous

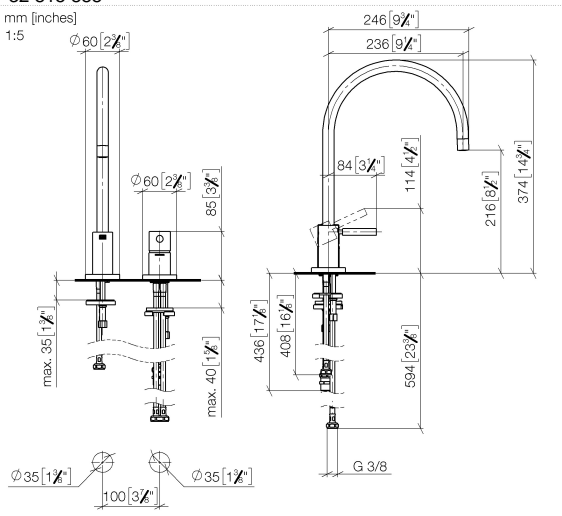
Swivel limitation set - 12 820 970 90



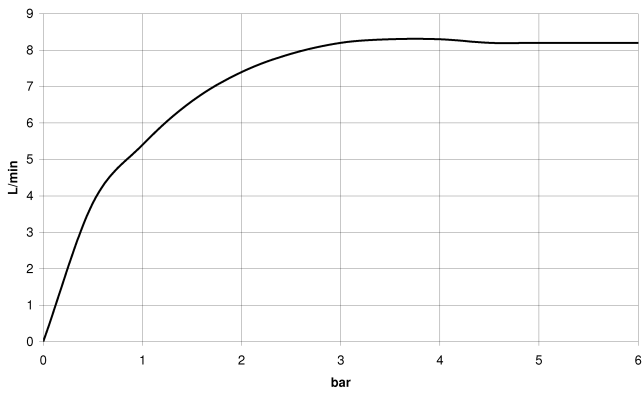
32 815 888

mm [inches]

1:5



Flow rate chart

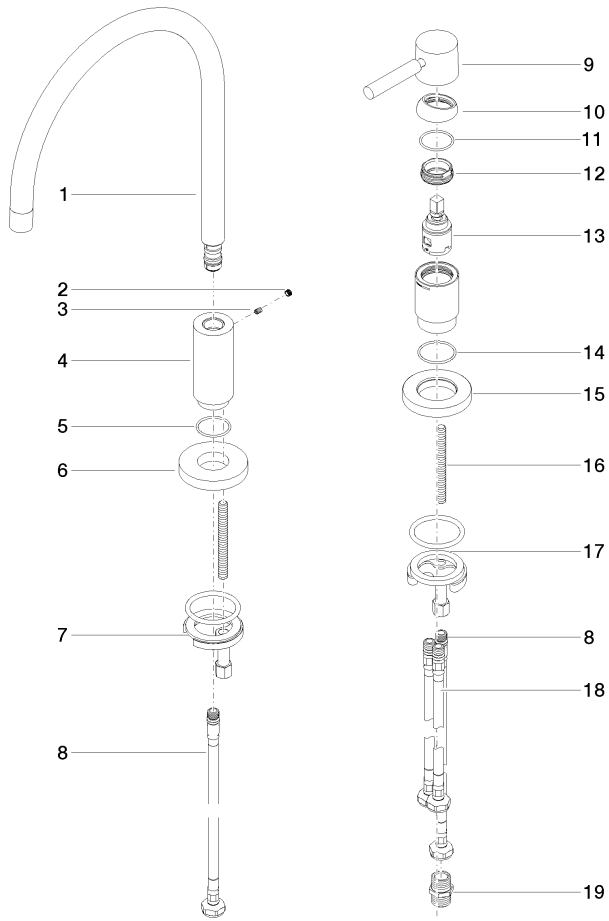


Certificates

LGA_38638.

WRAS_240102014.

32 815 888





TARA Two-hole mixer with individual rosettes - Brushed Champagne (22kt Gold)

TARA

32 815 888

Spare parts list

| No. | Item Number | Name | Quantity used | Delivery time |
|--|--------------------|------------|---------------|---------------|
| 1 | 90 28 22 226 00-46 | spout | 1 | - |
| Spare part can no longer be ordered, please order the replacement item | | | | |
| 2 | 90 31 20 109 00 90 | plug | 1 | 2 |
| 3 | 09 31 11 008 90 | pin | 1 | 2 |
| 4 | 09 11 10 062 10-46 | connection | 1 | 60 |
| 5 | 09 14 10 120 90 | seal | 1 | 2 |
| 6 | 90 28 10 211 00-46 | rosette | 1 | - |
| Spare part can no longer be ordered, please order the replacement item | | | | |
| 7 | 04 30 11 038 00 90 | fixing set | 1 | 2 |
| 8 | 04 30 04 019 00 90 | hose | 2 | 2 |
| 9 | 90 20 66 003 00-46 | handle | 1 | - |
| Spare part can no longer be ordered, please order the replacement item | | | | |
| 10 | 09 28 30 026-46 | cover | 1 | 60 |
| 11 | 09 14 10 091 90 | seal | 1 | 2 |
| 12 | 09 24 04 266 90 | nut | 1 | 2 |
| 13 | 90 15 05 042 00 90 | cartridge | 1 | 2 |
| 14 | 09 14 10 110 90 | seal | 1 | 2 |
| 15 | 09 27 97 040-46 | rosette | 1 | 60 |
| 16 | 09 31 11 011 90 | pin | 1 | 2 |
| 17 | 04 30 11 085 97 90 | fixing set | 1 | 2 |
| 18 | 04 30 04 105 00 90 | hose | 2 | 2 |
| 19 | 90 24 03 168 00 90 | nipple | 1 | 2 |