



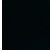
EDITION PRO Single-lever basin mixer with pop-up waste - Brushed Chrome

33 500 626



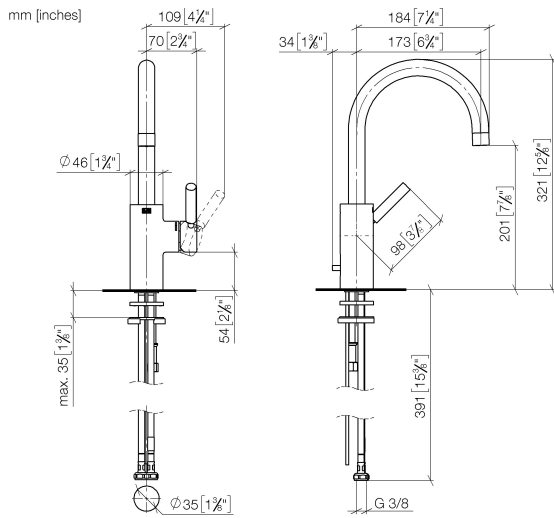
- 173mm projection
- pivotable spout 360°
- circular, air-enriched flow
- height of mixer 321 mm
- height up to aerator 201 mm
- hole diameter 35 mm
- 2x screw-in M 10 x 1 pressure hose, leak-tested
- max. flow 7 l/min
- lead-free
- WRAS 2201004

Only suitable for basins with an overflow.

| | | |
|-----------------------------------------------------------------------------------|----------------|---------------|
|  | Brushed Chrome | 33 500 626-93 |
|  | Chrome | 33 500 626-00 |
|  | Matte Black | 33 500 626-33 |

EDITION PRO Single-lever basin mixer with pop-up waste - Brushed Chrome

33 500 626



Flow rate chart



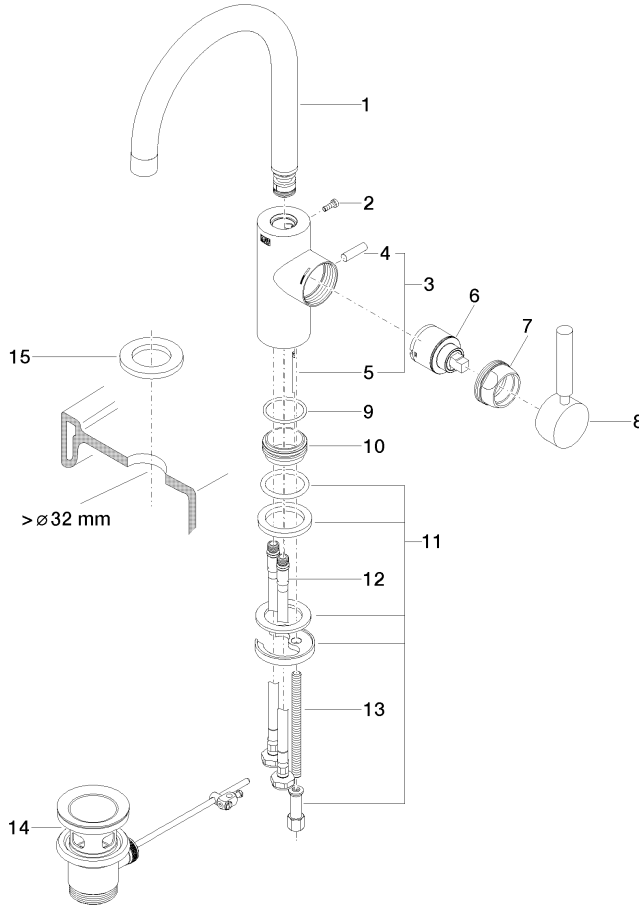
Certificates

WRAS_2201004. LGA_18581.

EDITION PRO Single-lever basin mixer with pop-up waste - Brushed Chrome

33 500 626

Parts for other finishes can be found here: [Chrome](#)



Spare parts list

| No. | Item Number | Name | Quantity used | Delivery time |
|------------------------------------------------------------------------|--------------------|---------------------------------------------|---------------|---------------|
| 1 | 90 28 22 162 02-93 | spout | 1 | - |
| Spare part can no longer be ordered, please order the replacement item | | | | |
| 2 | 09 30 30 080 90 | screw | 1 | 2 |
| 3 | 04 20 62 030 80-93 | pull-rod | 1 | 20 |
| 4 | 09 20 62 030-93 | handle | 1 | 20 |
| 5 | 09 31 09 080-93 | pull-rod | 1 | 20 |
| 6 | 90 15 05 045 00 90 | cartridge | 1 | 2 |
| 7 | 09 24 04 107-93 | nut | 1 | 20 |
| 8 | 90 20 88 046 00-93 | handle | 1 | - |
| Spare part can no longer be ordered, please order the replacement item | | | | |
| 9 | 09 14 10 119 90 | seal | 1 | 2 |
| 11 | 09 28 10 109-07 | ring | 2 | 30 |
| 12 | 04 30 04 104 00 90 | hose | 2 | 2 |
| 13 | 09 31 11 012 90 | pin | 1 | 2 |
| 14 | 90 11 01 001 00-93 | pop-up waste | 1 | 20 |
| 15 | 12 730 970-93 | Rosette for tap hole cover - Brushed Chrome | 1 | 10 |