

33 500 882

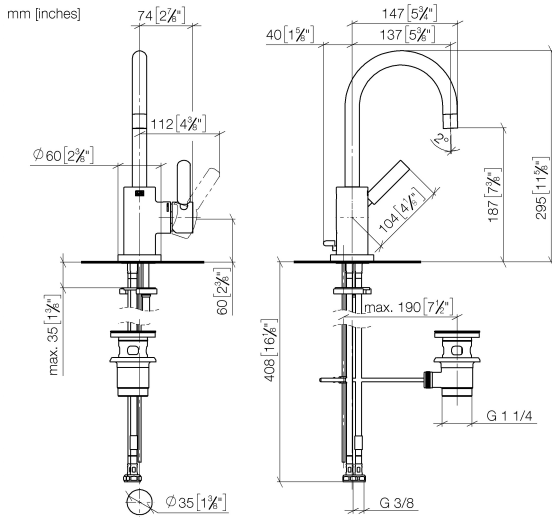


- 137mm projection
- pivotable spout 360°
- circular, air-enriched flow
- height of mixer 295 mm
- height up to aerator 187 mm
- hole diameter 35 mm
- 2x screw-in M 8 x 1 pressure hose, leak-tested
- max. flow 5.7 l/min
- lead-free
- This product can help a building meet the requirements of Green Building Rating Systems, e.g. LEED®, BREEAM®, DGNB
- WRAS 2212025

Only suitable for basins with an overflow.

| | | |
|--|--------------------------------|---------------|
|  | Matte Black | 33 500 882-33 |
|  | Chrome | 33 500 882-00 |
|  | Brushed Platinum | 33 500 882-06 |
|  | Platinum | 33 500 882-08 |
|  | Dark Chrome | 33 500 882-19 |
|  | Brushed Durabronze (23kt Gold) | 33 500 882-28 |
|  | Brushed Champagne (22kt Gold) | 33 500 882-46 |
|  | Champagne (22kt Gold) | 33 500 882-47 |
|  | Brushed Chrome | 33 500 882-93 |
|  | Brushed Dark Platinum | 33 500 882-99 |

33 500 882



Flow rate chart



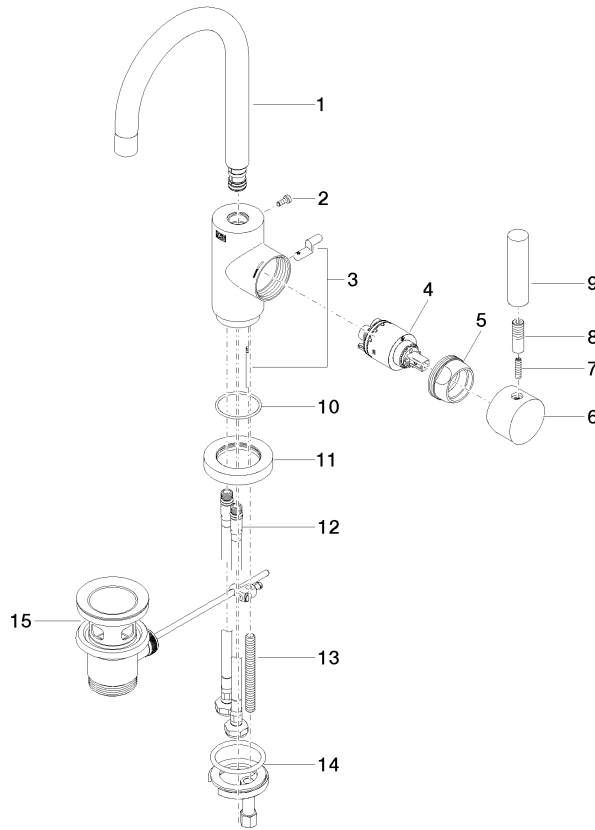
Certificates

LGA_38418.

WRAS_2212025.

33 500 882

Parts for other finishes can be found here: [Chrome](#)



Spare parts list

| No. | Item Number | Name | Quantity used | Delivery time |
|-----|--------------------|--------------|---------------|---------------|
| 1 | 90 28 22 371 00-33 | spout | 1 | 30 |
| 2 | 09 30 30 054 90 | screw | 1 | 2 |
| 3 | 04 20 16 031 80-33 | pull-rod | 1 | 60 |
| 4 | 90 15 05 065 00 90 | cartridge | 1 | 2 |
| 5 | 09 24 04 107-33 | nut | 1 | 30 |
| 6 | 90 20 88 040 00-33 | handle | 1 | 2 |
| 7 | 09 31 11 010 90 | pin | 1 | 2 |
| 8 | 90 24 04 048 00-33 | nipple | 1 | 30 |
| 9 | 11 170 880-33 | handle | 1 | 30 |
| 10 | 09 14 10 034 90 | seal | 1 | 2 |
| 11 | 09 28 10 055-33 | rosette | 1 | 2 |
| 12 | 04 30 04 104 00 90 | hose | 2 | 2 |
| 13 | 09 31 11 011 90 | pin | 1 | 2 |
| 14 | 04 30 11 038 00 90 | fixing set | 1 | 2 |
| 15 | 90 11 01 001 00-33 | pop-up waste | 1 | 30 |