




EDITION PRO Single-lever basin mixer with pop-up waste - Brushed Chrome

33 501 626



- 126mm projection
- fixed spout
- circular, air-enriched flow
- height of mixer 132 mm
- height up to aerator 45 mm
- hole diameter 35 mm
- 2x screw-in M 10 x 1 pressure hose, leak-tested
- max. flow 7 l/min
- lead-free
- WRAS 240502020, 1807097

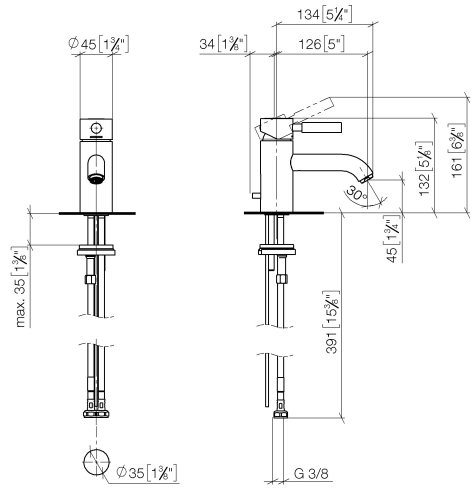
Only suitable for basins with an overflow.

	Brushed Chrome	33 501 626-93
	Chrome	33 501 626-00
	Matte Black	33 501 626-33

EDITION PRO Single-lever basin mixer with pop-up waste - Brushed Chrome

33 501 626

mm [inches]



Flow rate chart



Certificates

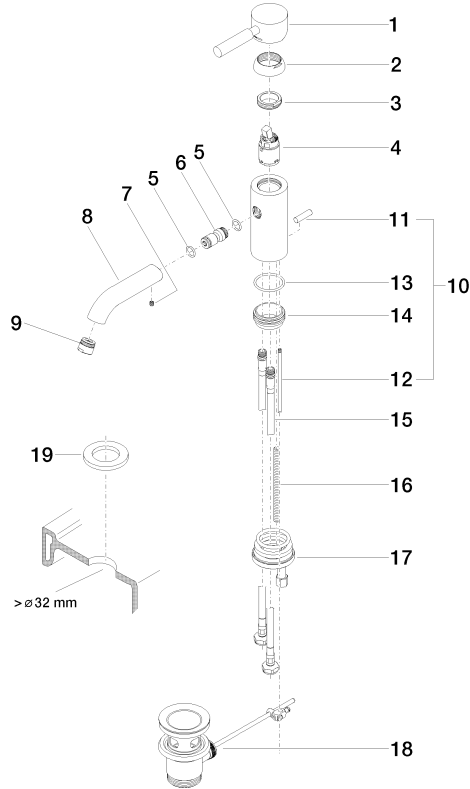
LGA_9389.

WRAS_240502020.

EDITION PRO Single-lever basin mixer with pop-up waste - Brushed Chrome

33 501 626

Parts for other finishes can be found here: [Chrome](#)



Spare parts list

No.	Item Number	Name	Quantity used	Delivery time
1	90 20 62 046 00-93	handle	1	20
2	09 28 30 008-93	cover	1	20
3	09 24 04 130-07	nut	1	30
4	90 15 05 041 00 90	cartridge	1	2
5	09 14 10 003 90	seal	1	2
6	09 24 04 025 10 90	nipple	1	2
7	90 31 11 030 00 90	pin	1	2
8	09 11 06 059 10-93	spout	1	20
9	90 23 01 022 00-93	aerator	1	20
10	04 20 62 030 80-93	pull-rod	1	20
11	09 20 62 030-93	handle	1	20
12	09 31 09 080-93	pull-rod	1	20
13	09 14 10 119 90	seal	1	2
14	09 28 10 109-07	ring	1	30
15	04 30 04 104 00 90	hose	2	2
16	09 31 11 012 90	pin	1	2
17	04 30 11 085 88 90	fixing set	1	2
18	90 11 01 001 00-93	pop-up waste	1	20
19	12 730 970-93	Rosette for tap hole cover - Brushed Chrome	1	10