

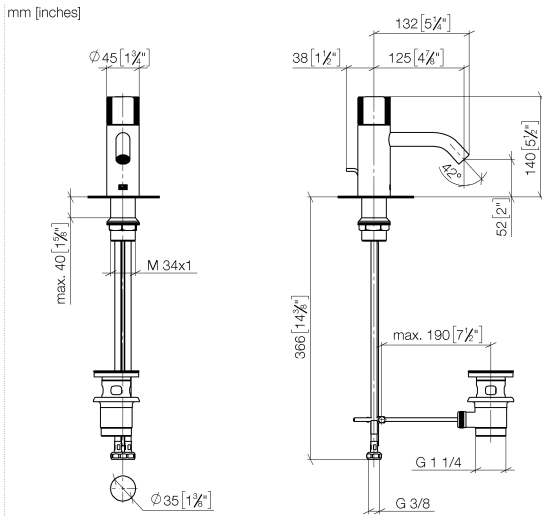
33 501 664



- 125mm projection
- progressive cartridge
- fixed spout
- circular, air-enriched flow
- height of mixer 140 mm
- height up to aerator 52 mm
- hole diameter 35 mm
- 2x screw-in M 8 x 1 pressure hose, leak-tested
- max. flow 5.7 l/min
- lead-free
- This product can help a building meet the requirements of Green Building Rating Systems, e.g. LEED®, BREEAM®, DGNB
- WRAS 2004015

Only suitable for basins with an overflow.

33 501 664



Flow rate chart



Codes & Standards

DIN 4109

ISO 3822

Scottish Water
Byelaws

UK Water Supply
Regulations

Ü-Zeichen



META META PURE Single-lever basin mixer with pop-up waste - Chrome

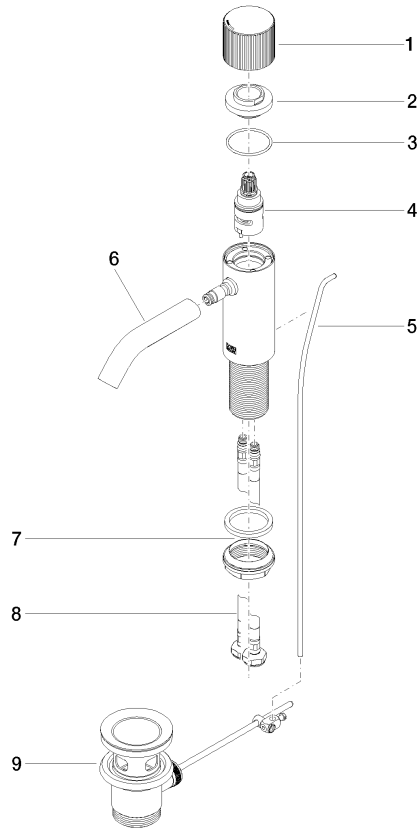
META

33 501 664

Certificates

LGA_29

WRAS_2004





META META PURE Single-lever basin mixer with pop-up waste - Chrome

META

33 501 664

Spare parts list

| No. | Item Number | Name | Quantity used | Delivery time |
|-----|-----------------|--------|---------------|---------------|
| | 09 20 66 019-00 | handle | 10 | 10 |