





DORNBACHT YARRE Single-lever basin mixer with pop-up waste - Soft Black

33 501 832



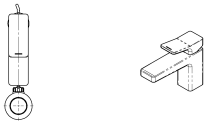
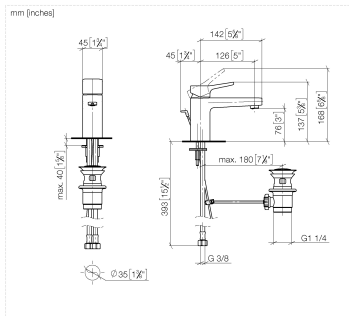
- 120mm projection
- fixed spout
- circular, air-enriched flow
- height of mixer 126 mm
- height up to aerator 80 mm
- hole diameter 35 mm
- 2x screw-in M 8 x 1 pressure hose, leak-tested
- max. flow 6.8 l/min
- WRAS 240104004

| | | |
|---|------------|---------------|
|  | Soft Black | 33 501 832-69 |
|  | Chrome | 33 501 832-00 |

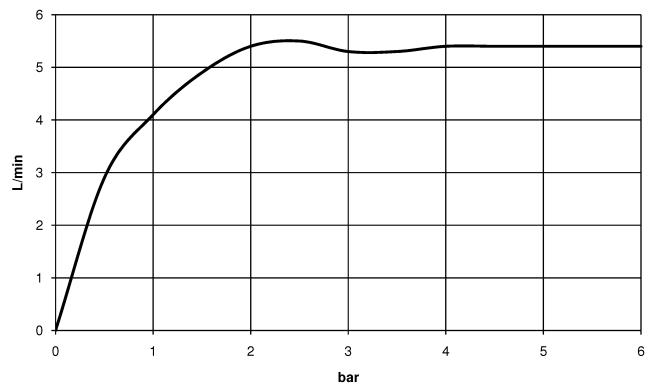


DORNBRACHT YARRE Single-lever basin mixer with pop-up waste - Soft Black

33 501 832



Flow rate chart



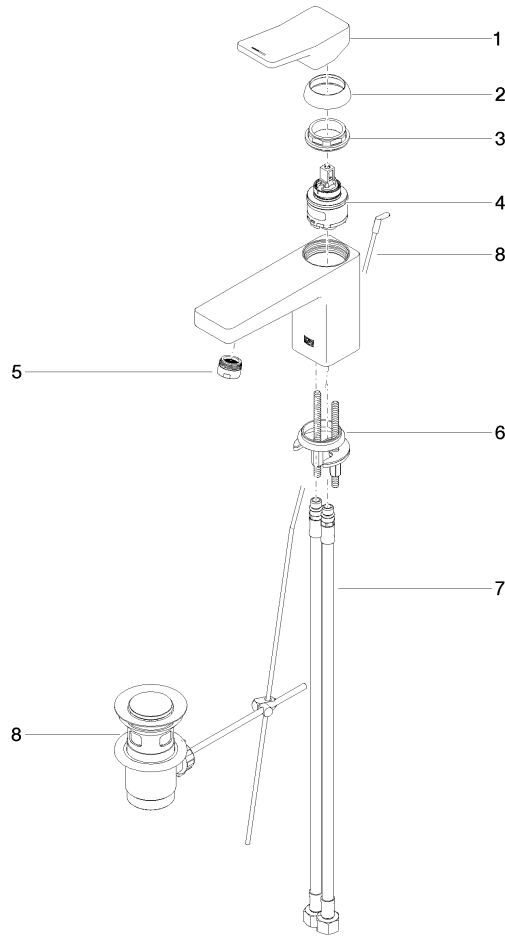
Certificates

AbP_10165. ACS_23 ACC NY WRAS_240104004.
491.

DORNBACHT YARRE Single-lever basin mixer with pop-up waste - Soft Black

33 501 832

Parts for other finishes can be found here: [Chrome](#)



Spare parts list

| No. | Item Number | Name | Quantity used | Delivery time |
|-----|--------------------|--------------|---------------|---------------|
| 1 | 90 20 83 004 00-69 | handle | 1 | 2 |
| 2 | 90 21 02 400 00-69 | cover | 1 | 2 |
| 3 | 90 23 10 140 00 90 | nut | 1 | 2 |
| 4 | 90 15 05 502 00 90 | cartridge | 1 | 2 |
| 5 | 90 23 01 177 00-69 | aerator | 1 | 2 |
| 6 | 90 30 11 504 00 90 | fixing set | 1 | 2 |
| 7 | 90 30 04 110 02 90 | hose | 2 | 2 |
| 8 | 90 11 01 200 00-69 | pop-up waste | 1 | 2 |