

**MEM Single-lever basin mixer with pop-up waste - Brushed Champagne (22kt Gold)**

MEM

33 502 782



- 113mm projection
- fixed spout
- rectangular, air-enriched flow
- height of mixer 284 mm
- height up to aerator 216 mm
- hole diameter 35 mm
- 2x screw-in M 10 x 1 pressure hose, leak-tested
- max. flow 5.7 l/min
- lead-free
- This product can help a building meet the requirements of Green Building Rating Systems, e.g. LEED®, BREEAM®, DGNB

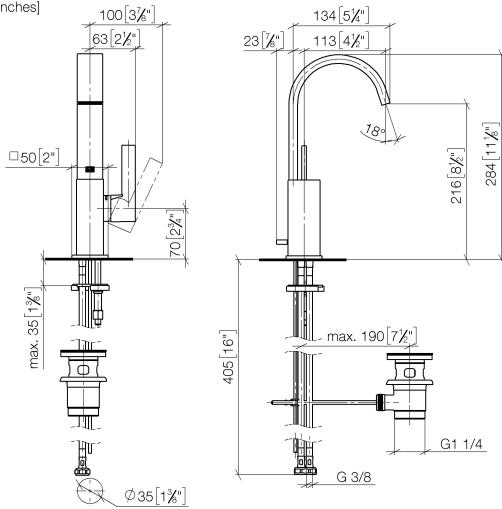
Only suitable for basins with an overflow.

|  |                                |               |
|--|--------------------------------|---------------|
|  | Brushed Champagne (22kt Gold)  | 33 502 782-46 |
|  | Chrome                         | 33 502 782-00 |
|  | Brushed Platinum               | 33 502 782-06 |
|  | Platinum                       | 33 502 782-08 |
|  | Dark Chrome                    | 33 502 782-19 |
|  | Brushed Durabronze (23kt Gold) | 33 502 782-28 |
|  | Champagne (22kt Gold)          | 33 502 782-47 |
|  | Brushed Dark Platinum          | 33 502 782-99 |

**MEM Single-lever basin mixer with pop-up waste - Brushed Champagne (22kt Gold)**

MEM

33 502 782  
mm [inches]



**Flow rate chart**



**Codes & Standards**

DIN 4109

Executive Order  
no. 1007

ISO 3822

Ü-Zeichen



MEM Single-lever basin mixer with pop-up waste - Brushed Champagne (22kt Gold)

MEM

---

33 502 782  
Certificates

---

LGA\_28

GDV\_0400



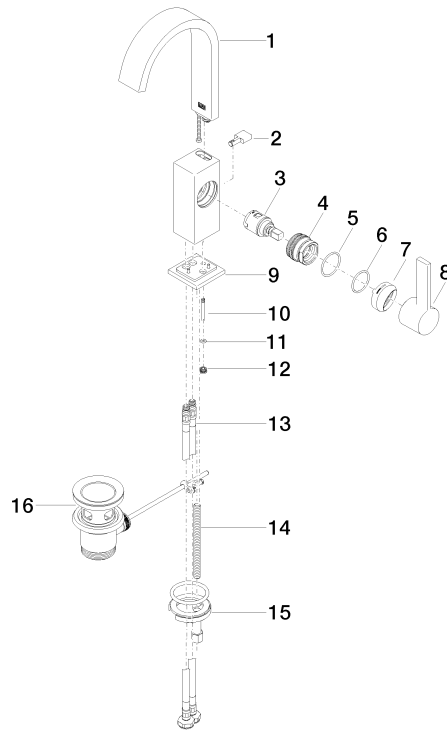
# MEM Single-lever basin mixer with pop-up waste - Brushed Champagne (22kt Gold)

MEM

33 502 782

**Product version from 9/1/2022**

Parts for other finishes can be found here: [Chrome](#)





MEM Single-lever basin mixer with pop-up waste - Brushed Champagne (22kt Gold)

MEM

33 502 782

**Spare parts list**

**Product version from 9/1/2022**

| No. | Item Number        | Name  | Quantity used | Delivery time |
|-----|--------------------|-------|---------------|---------------|
|     | 90 28 22 365 10-46 | spout | 17            | 30            |