


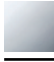



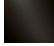
**IMO Single-lever basin mixer with pop-up waste - Brushed Durabronz (23kt Gold)**

IMO

33 507 670

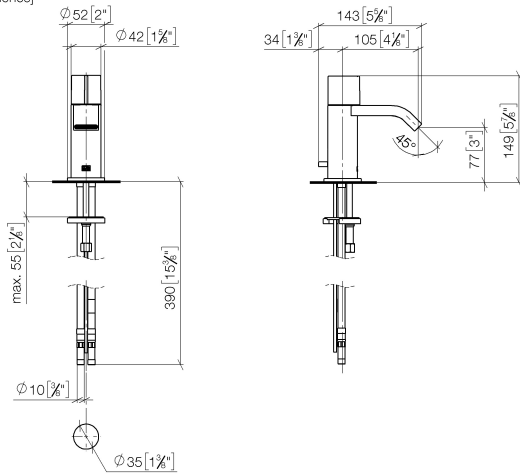


- 105mm projection
  - fixed spout
  - rectangular, air-enriched flow
  - height of mixer 149 mm
  - height up to aerator 80 mm
  - hole diameter 35 mm
  - rosette Ø 52 mm optional
  - progressive cartridge
  - 2x screw-in M 10 x 1 pressure hose, leak-tested
  - max. flow 7 l/min
  - lead-free
  - This product can help a building meet the requirements of Green Building Rating Systems, e.g. LEED®, BREEAM®, DGNB
- Only suitable for basins with an overflow.

	Brushed Durabronz (23kt Gold)	33 507 670-28
	Chrome	33 507 670-00
	Brushed Platinum	33 507 670-06
	Platinum	33 507 670-08
	Brushed Chrome	33 507 670-93
	Brushed Dark Platinum	33 507 670-99

33 507 670

mm [inches]



**Flow rate chart**



**Certificates**

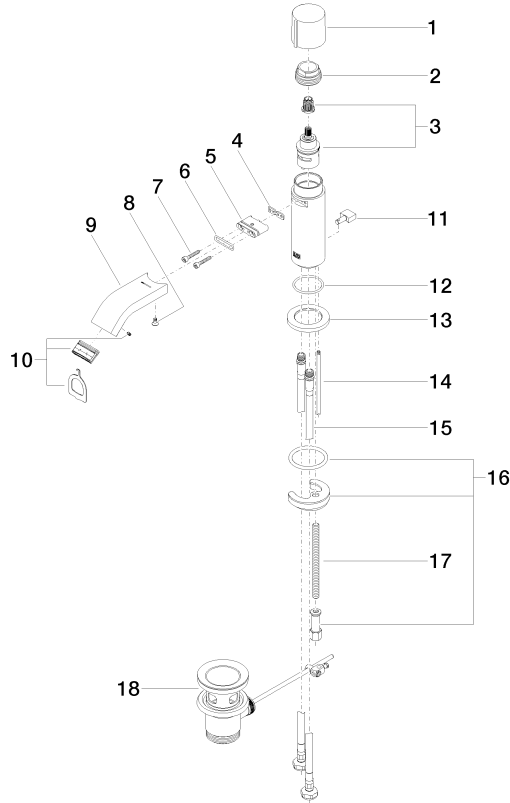
LGA\_19486.

ETA\_19965.

GDV\_0400311.

33 507 670

Parts for other finishes can be found here: [Chrome](#)



### Spare parts list

No.	Item Number	Name	Quantity used	Delivery time
1	09 20 67 001-28	handle	1	20
2	09 23 10 065-28	nut	1	-
Spare part can no longer be ordered, please order the replacement item				
3	90 90 03 162 00 90	top	1	2
4	09 14 03 131 90	seal	1	2
5	09 11 03 061 90	connection	1	2
6	09 14 10 053 90	seal	1	2
7	09 30 30 182 90	screw	2	2
8	09 30 30 116 90	screw	1	2
9	09 28 22 238-28	spout	1	20
10	90 29 03 045 00 90	aerator	1	2
11	09 20 67 002-28	handle	1	20
12	09 14 10 104 90	seal	1	2
13	09 27 67 003-28	rosette	1	20
14	09 31 09 080-28	pull-rod	1	20
15	04 30 04 104 00 90	hose	2	2
16	04 30 11 038 00 90	fixing set	1	2
17	09 31 11 012 90	pin	1	2
18	90 11 01 001 00-28	pop-up waste	1	20