

33 513 882

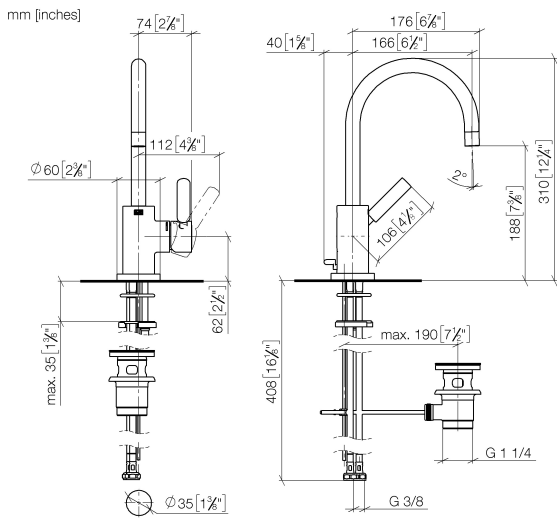


- 166mm projection
- pivotable spout 360°
- circular, air-enriched flow
- height of mixer 310 mm
- height up to aerator 188 mm
- hole diameter 35 mm
- 2x screw-in M 8 x 1 pressure hose, leak-tested
- max. flow 5.7 l/min
- lead-free
- This product can help a building meet the requirements of Green Building Rating Systems, e.g. LEED®, BREEAM®, DGNB
- WRAS 2212025

Only suitable for basins with an overflow.

| | | |
|--|--------------------------------|---------------|
|  | Platinum | 33 513 882-08 |
|  | Chrome | 33 513 882-00 |
|  | Brushed Platinum | 33 513 882-06 |
|  | Dark Chrome | 33 513 882-19 |
|  | Brushed Durabronze (23kt Gold) | 33 513 882-28 |
|  | Matte Black | 33 513 882-33 |
|  | Brushed Bronze | 33 513 882-42 |
|  | Brushed Champagne (22kt Gold) | 33 513 882-46 |
|  | Champagne (22kt Gold) | 33 513 882-47 |
|  | Brushed Chrome | 33 513 882-93 |
|  | Brushed Dark Platinum | 33 513 882-99 |

33 513 882



Flow rate chart



Codes & Standards

DIN 4109

ISO 3822

Scottish Water
Byelaws

UK Water Supply
Regulations

Ü-Zeichen



TARA Single-lever basin mixer with pop-up waste - Platinum

TARA

33 513 882

Certificates

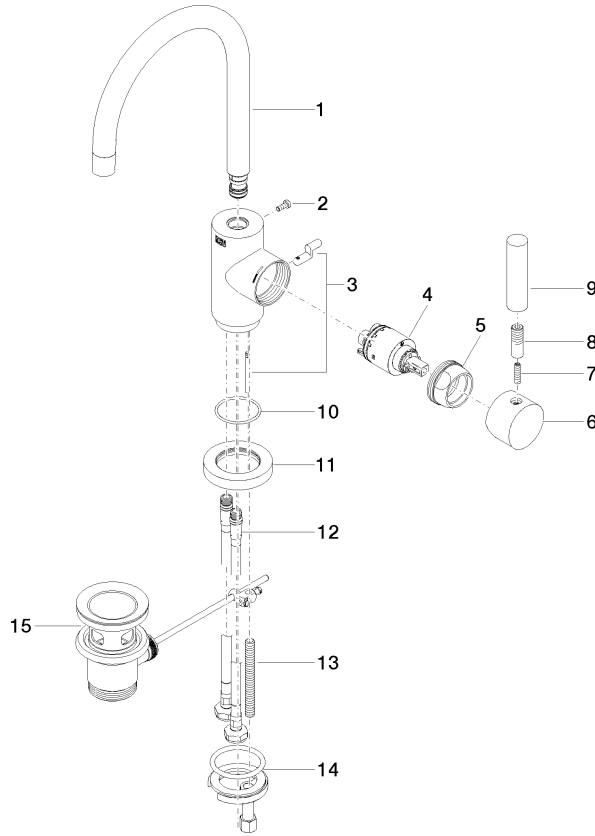
LGA_38

WRAS_2212

33 513 882

Product version from 4/1/2024

Parts for other finishes can be found here: [Chrome](#)





TARA Single-lever basin mixer with pop-up waste - Platinum

TARA

33 513 882

Spare parts list

Product version from 4/1/2024

| No. | Item Number | Name | Quantity used | Delivery time |
|-----|--------------------|-------|---------------|---------------|
| | 90 28 22 372 00-08 | spout | 16 | 40 |