
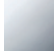



33 521 670

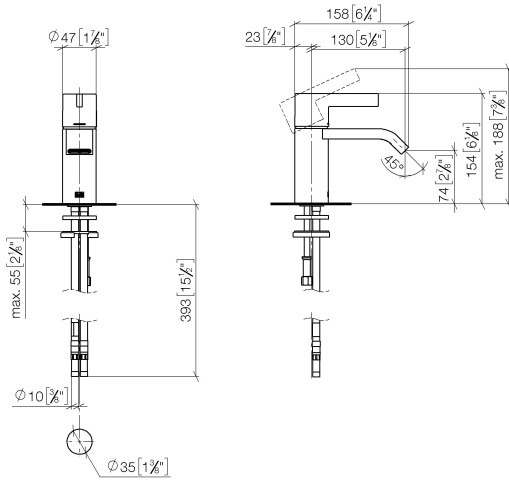


- 130mm projection
- fixed spout
- rectangular, air-enriched flow
- height of mixer 154 mm
- height up to aerator 80 mm
- hole diameter 35 mm
- 2x screw-in M 10 x 1 pressure hose, leak-tested
- max. flow 7 l/min
- lead-free
- This product can help a building meet the requirements of Green Building Rating Systems, e.g. LEED®, BREEAM®, DGNB
- WRAS 240202005

	Brushed Platinum	33 521 670-06
	Chrome	33 521 670-00
	Brushed Chrome	33 521 670-93

33 521 670

mm [inches]



Flow rate chart



Certificates

WRAS_1806010.

ETA_19965.

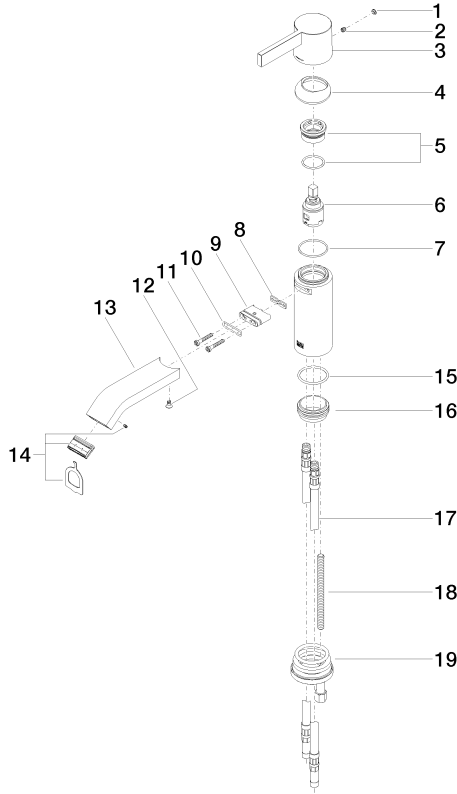
LGA_19485.

GDV_0400311.

WRAS_240202005.

33 521 670

Parts for other finishes can be found here: [Chrome](#)



Spare parts list

No.	Item Number	Name	Quantity used	Delivery time
1	90 31 20 087 00-06	plug	1	10
2	90 31 11 030 00 90	pin	1	2
3	09 20 67 003-06	handle	1	10
4	09 28 30 019-06	cover	1	10
5	90 23 10 066 00 90	nut	1	2
6	90 15 05 042 00 90	cartridge	1	2
7	09 14 10 102 90	seal	1	2
8	09 14 03 131 90	seal	1	2
9	09 11 03 061 90	connection	1	2
10	09 14 10 053 90	seal	1	2
11	09 30 30 084 90	screw	2	2
12	09 30 30 116 90	screw	1	2
13	09 28 22 239-06	spout	1	10
14	90 29 03 045 00 90	aerator	1	2
15	09 14 10 119 90	seal	1	2
16	09 28 10 109-07	ring	1	30
17	04 30 04 016 00 90	hose	2	60
18	09 31 11 012 90	pin	1	2
19	04 30 11 085 88 90	fixing set	1	2