

LOT Single-lever mixer - Platinum

LOT

33 800 680 Product version from 3/1/2023



- 236mm projection
- pivotable spout 360°
- air-enriched flow
- max. flow 8 l/min at 3 bar flow pressure
- lead-free
- This product can help a building meet the requirements of Green Building Rating Systems, e.g. LEED®, BREEAM®, DGNB

	Platinum	33 800 680-08
	Chrome	33 800 680-00
	Brushed Platinum	33 800 680-06
	Dark Chrome	33 800 680-19
	Brushed Durabronze (23kt Gold)	33 800 680-28
	Brushed Champagne (22kt Gold)	33 800 680-46
	Champagne (22kt Gold)	33 800 680-47
	Brushed Dark Platinum	33 800 680-99

Recommended miscellaneous

Dispenser with rosette - Platinum 82 439 970-08

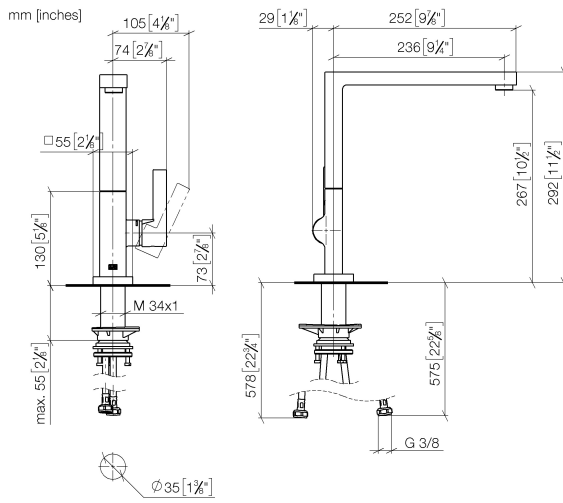


Recommended miscellaneous

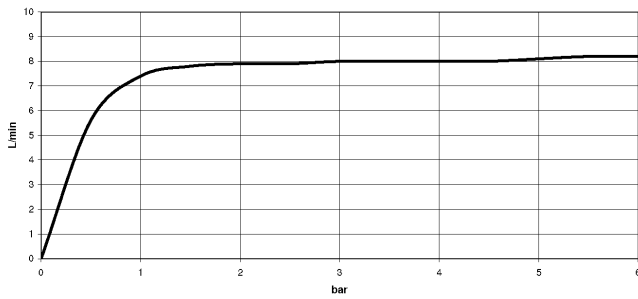
Strainer waste with control handle - Platinum 10 711 970-08



33 800 680 Product version from 3/1/2023



Flow rate chart



Codes & Standards

DIN 4109

ISO 3822

Ü-Zeichen



LOT Single-lever mixer - Platinum

LOT

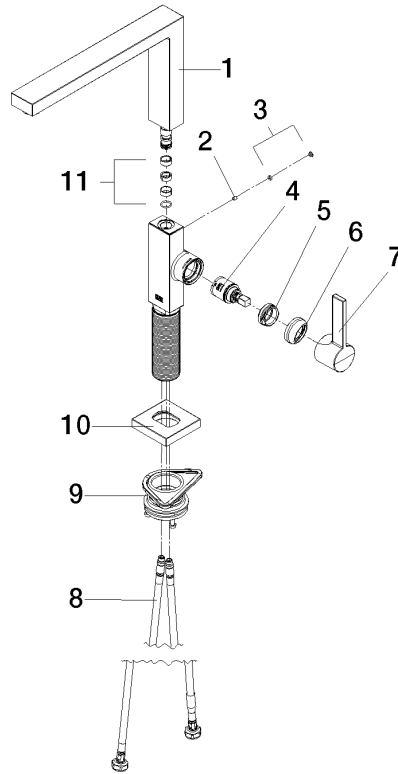
33 800 680 Product version from 3/1/2023

Certificates

LGA_38

33 800 680 Product version from 3/1/2023

Parts for other finishes can be found here: [Chrome](#)



Spare parts list

No.	Item Number	Name	Quantity used	Delivery time
1	90 11 06 218 00-08	spout	1	-
Spare part can no longer be ordered, please order the replacement item				
2	09 31 11 044 90	pin	1	2
3	90 31 20 087 00-08	plug	1	40
4	90 15 05 042 00 90	cartridge	1	2
5	09 24 04 266 90	nut	1	2
6	90 28 30 052 00-08	cover	1	40
7	90 20 86 004 00-08	handle	1	40
8	04 30 04 101 00 90	hose	2	2
9	90 30 10 057 00 90	fixing set	1	-
Spare part can no longer be ordered, please order the replacement item				
10	90 27 86 004 00-08	rosette	1	-
Spare part can no longer be ordered, please order the replacement item				
11	90 28 10 207 00 90	gasket kit	1	2