

33 800 861



- 200mm projection
- pivotable spout 360°
- Optional swivel limiter available with swivel limiter set 12 820 970 90
- air-enriched flow
- max. flow 8 l/min at 3 bar flow pressure
- lead-free
- This product can help a building meet the requirements of Green Building Rating Systems, e.g. LEED®, BREEAM®, DGNB
- WRAS 240102021

| | | |
|---|-------------------------------|---------------|
|  | Brushed Durabron (23kt Gold) | 33 800 861-28 |
|  | Chrome | 33 800 861-00 |
|  | Brushed Platinum | 33 800 861-06 |
|  | Platinum | 33 800 861-08 |
|  | Durabron (23kt Gold) | 33 800 861-09 |
|  | Dark Chrome | 33 800 861-19 |
|  | Matte Black | 33 800 861-33 |
|  | Brushed Champagne (22kt Gold) | 33 800 861-46 |
|  | Champagne (22kt Gold) | 33 800 861-47 |
|  | Brushed Chrome | 33 800 861-93 |
|  | Brushed Dark Platinum | 33 800 861-99 |

Recommended miscellaneous

Swivel limitation set - 12 820 970 90



Recommended miscellaneous

Strainer waste with control handle - Brushed Durabron (23kt Gold) 10 712 970-28

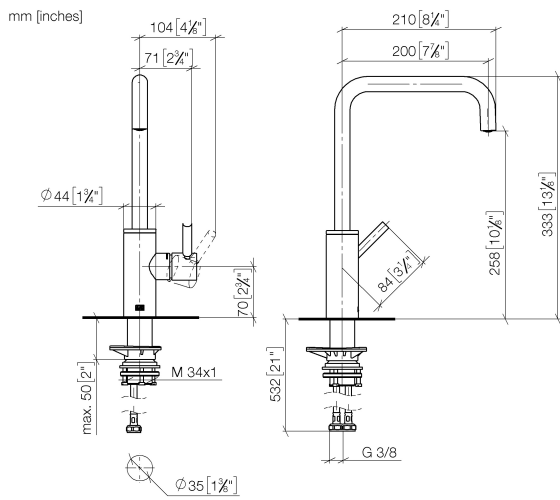


Recommended miscellaneous

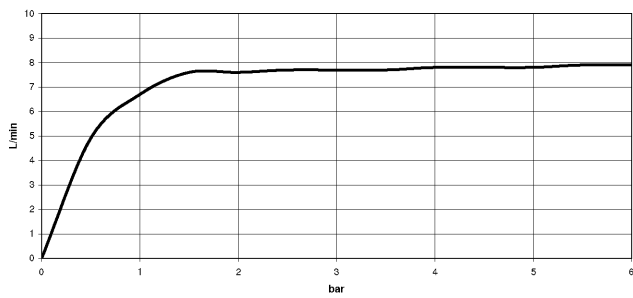
Dispenser without rosette - Brushed Durabron (23kt Gold) 82 424 970-28



33 800 861



Flow rate chart



Certificates

LGA_38642.

WRAS_240102021.

33 800 861

