

33 805 875



- 166mm projection
- pivotable spout 360°
- laminar flow
- height of mixer 303 mm
- height up to laminar flow regulator 186 mm
- hole diameter 35 mm
- max. flow 8 l/min at 3 bar flow pressure
- lead-free
- This product can help a building meet the requirements of Green Building Rating Systems, e.g. LEED®, BREEAM®, DGNB

| | | |
|--|--------------------------------|---------------|
|  | Platinum | 33 805 875-08 |
|  | Chrome | 33 805 875-00 |
|  | Brushed Platinum | 33 805 875-06 |
|  | Durabronze (23kt Gold) | 33 805 875-09 |
|  | Dark Chrome | 33 805 875-19 |
|  | Brushed Durabronze (23kt Gold) | 33 805 875-28 |
|  | Matte Black | 33 805 875-33 |
|  | Brushed Champagne (22kt Gold) | 33 805 875-46 |
|  | Champagne (22kt Gold) | 33 805 875-47 |
|  | Brushed Chrome | 33 805 875-93 |
|  | Brushed Dark Platinum | 33 805 875-99 |

Recommended miscellaneous

Strainer waste with control handle - Platinum 10 712 970-08

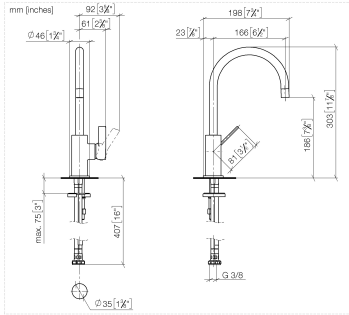


Recommended miscellaneous

Dispenser without rosette - Platinum 82 424 970-08



33 805 875



Flow rate chart



Codes & Standards

DIN 4109

ISO 3822

Ü-Zeichen



TARA ULTRA BAR TAP Single-lever mixer - Platinum

TARA ULTRA

33 805 875

Certificates

LGA_18

33 805 875

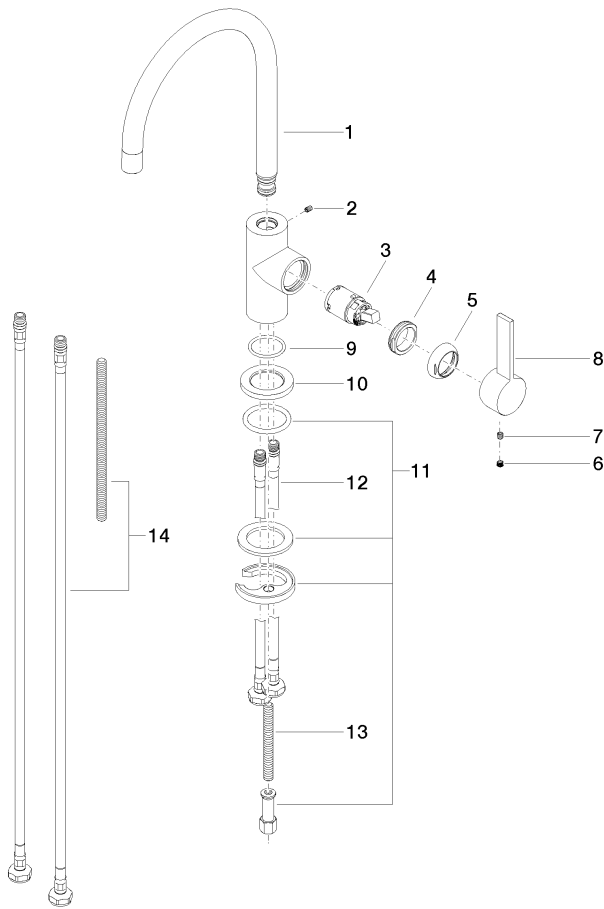
Product version up to 5/15/2020

Product version from 5/15/2020 to 10/27/2020

Product version from 10/27/2020 to 5/3/2021

Product version from 5/3/2021

Parts for other finishes can be found here: [Chrome](#)





TARA ULTRA BAR TAP Single-lever mixer - Platinum

TARA ULTRA

33 805 875

Spare parts list

Product version up to 5/15/2020

Product version from 5/15/2020 to 10/27/2020

Product version from 10/27/2020 to 5/3/2021

Product version from 5/3/2021

| No. | Item Number | Name | Quantity used | Delivery time |
|-----|--------------------|-------|---------------|---------------|
| | 90 28 22 206 00-08 | spout | 15 | 40 |