

VAIA Single-lever mixer for rinsing/Profi spray - Platinum

VAIA

33 810 809



- 202mm projection
- pivotable spout 360°
- air-enriched flow
- max. flow 7 l/min at 3 bar flow pressure
- lead-free
- This product can help a building meet the requirements of Green Building Rating Systems, e.g. LEED®, BREEAM®, DGNB

Single-lever mixer for combining with rinsing/Profi spray only

| | | |
|--|--------------------------------|---------------|
|  | Platinum | 33 810 809-08 |
|  | Chrome | 33 810 809-00 |
|  | Brushed Platinum | 33 810 809-06 |
|  | Durabronze (23kt Gold) | 33 810 809-09 |
|  | Dark Chrome | 33 810 809-19 |
|  | Brushed Durabronze (23kt Gold) | 33 810 809-28 |
|  | Matte Black | 33 810 809-33 |
|  | Brushed Champagne (22kt Gold) | 33 810 809-46 |
|  | Champagne (22kt Gold) | 33 810 809-47 |
|  | Brushed Chrome | 33 810 809-93 |
|  | Brushed Dark Platinum | 33 810 809-99 |

Recommended miscellaneous

VAIA Dispenser with rosette - Platinum

82 434 809-08

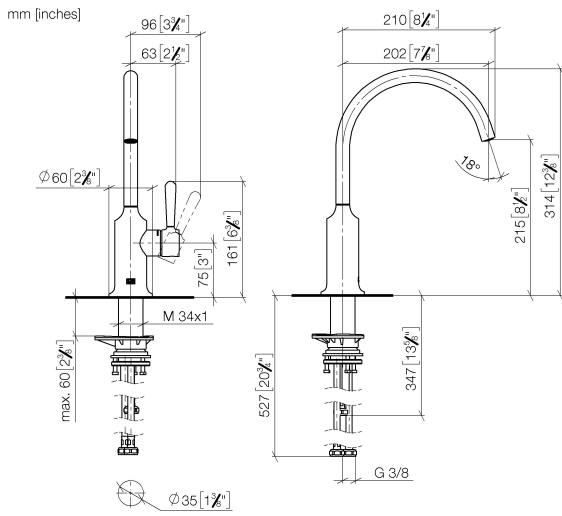


Recommended miscellaneous

VAIA Rinsing spray set - Platinum 27 718 809-08



33 810 809



Flow rate chart



Codes & Standards

DIN 4109

ISO 3822

Scottish Water
Byelaws

UK Water Supply
Regulations

Ü-Zeichen



VAIA Single-lever mixer for rinsing/Profi spray - Platinum

VAIA

33 810 809

Certificates

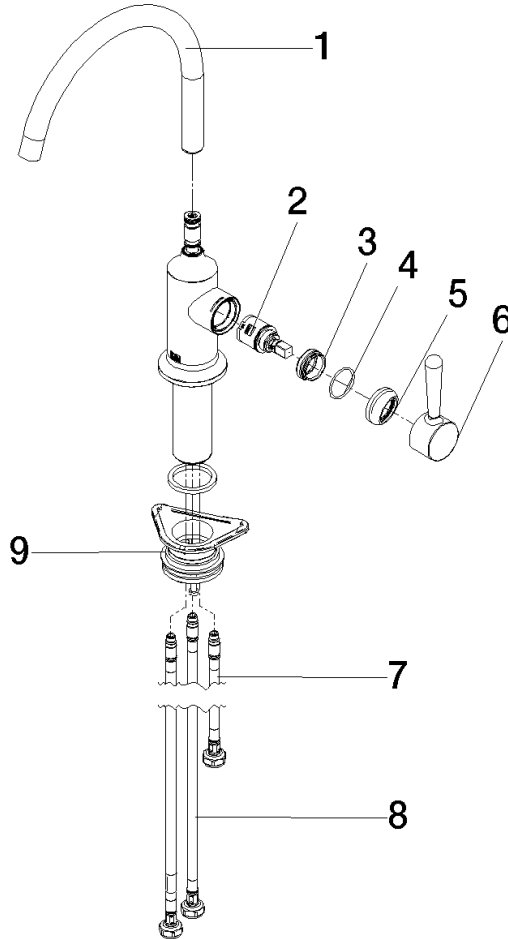
LGA_38

WRAS_240602

33 810 809

Product version from 7/1/2023

Parts for other finishes can be found here: [Chrome](#)





33 810 809

Spare parts list

Product version from 7/1/2023

| No. | Item Number | Name | Quantity used | Delivery time |
|-----|--------------------|-------|---------------|---------------|
| | 90 28 22 313 02-08 | spout | 10 | - |

Spare part can no longer be ordered, please order the replacement item