

MEM Single-lever mixer - Platinum

MEM

33 815 682



- 241mm projection
- pivotable spout 360°
- Optional swivel limiter available with swivel limiter set 12 820 970 90
- air-enriched flow
- max. flow 6.3 l/min at 3 bar flow pressure
- lead-free
- This product can help a building meet the requirements of Green Building Rating Systems, e.g. LEED®, BREEAM®, DGNB
- WRAS 240202021

	Platinum	33 815 682-08
	Chrome	33 815 682-00
	Brushed Platinum	33 815 682-06
	Durabrace (23kt Gold)	33 815 682-09
	Dark Chrome	33 815 682-19
	Brushed Durabrace (23kt Gold)	33 815 682-28
	Matte Black	33 815 682-33
	Brushed Champagne (22kt Gold)	33 815 682-46
	Champagne (22kt Gold)	33 815 682-47
	Brushed Chrome	33 815 682-93
	Brushed Dark Platinum	33 815 682-99

Recommended miscellaneous

Swivel limitation set - 12 820 970 90



Recommended miscellaneous

Strainer waste with control handle - Platinum 10 712 970-08

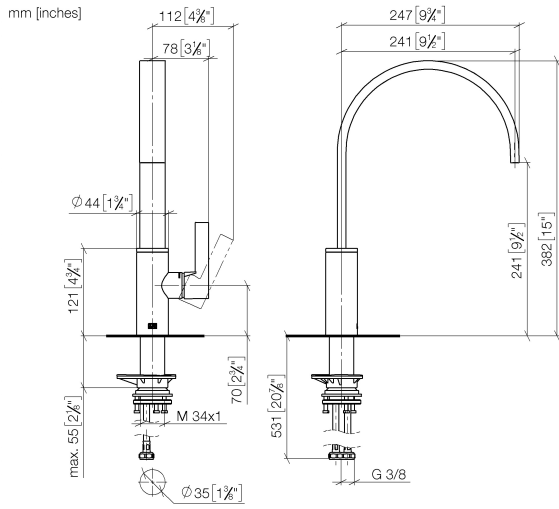


Recommended miscellaneous

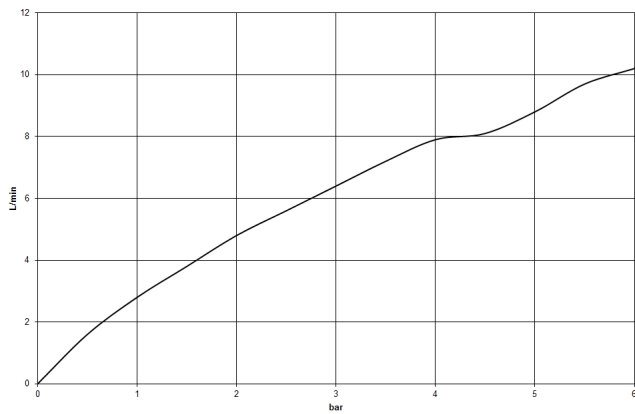
Dispenser without rosette - Platinum 82 424 970-08



33 815 682



Flow rate chart



Codes & Standards

DIN 4109

ISO 3822

Scottish Water
Byelaws

UK Water Supply
Regulations

Ü-Zeichen



MEM Single-lever mixer - Platinum

MEM

33 815 682

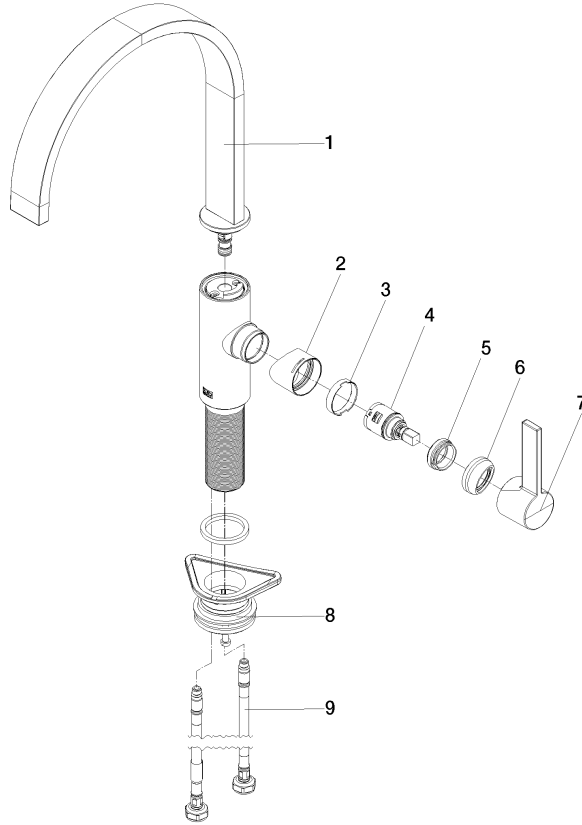
Certificates

WRAS_240202

LGA_38

33 815 682

Product version from 3/1/2023





MEM Single-lever mixer - Platinum

MEM

33 815 682

Spare parts list

Product version from 3/1/2023

No.	Item Number	Name	Quantity used	Delivery time
	90 28 22 333 00-08	spout	10	-

Spare part can no longer be ordered, please order the replacement item