

33 816 809 Product version from 7/1/2023



- 241mm projection
- pivotable spout 360°
- air-enriched flow
- max. flow 7 l/min at 3 bar flow pressure
- lead-free
- This product can help a building meet the requirements of Green Building Rating Systems, e.g. LEED®, BREEAM®, DGNB

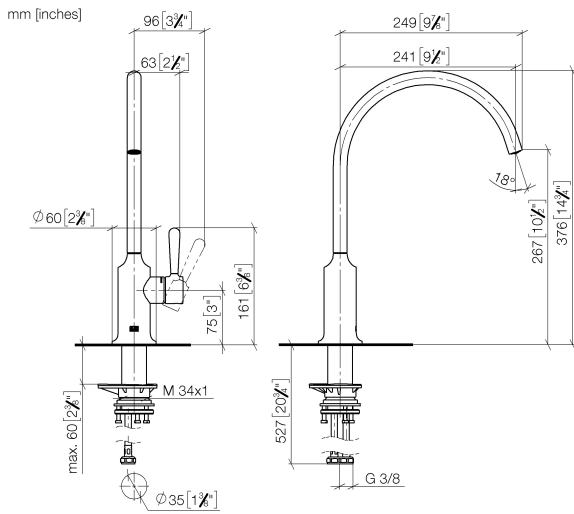
	Brushed Champagne (22kt Gold)	33 816 809-46
	Chrome	33 816 809-00
	Brushed Platinum	33 816 809-06
	Platinum	33 816 809-08
	Durabrand (23kt Gold)	33 816 809-09
	Dark Chrome	33 816 809-19
	Brushed Durabrand (23kt Gold)	33 816 809-28
	Matte Black	33 816 809-33
	Champagne (22kt Gold)	33 816 809-47
	Brushed Chrome	33 816 809-93
	Brushed Dark Platinum	33 816 809-99

**Recommended miscellaneous**

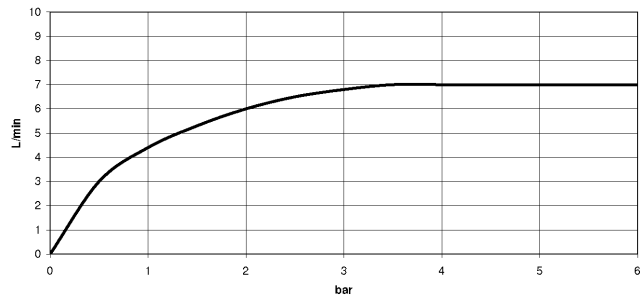
**VAIA Dispenser with rosette - Brushed Champagne (22kt Gold)** 82 434 809-46



33 816 809 Product version from 7/1/2023



Flow rate chart



Codes & Standards

DIN 4109

ISO 3822

Scottish Water  
Byelaws

UK Water Supply  
Regulations

Ü-Zeichen



## VAIA Single-lever mixer - Brushed Champagne (22kt Gold)

VAIA

33 816 809 Product version from 7/1/2023

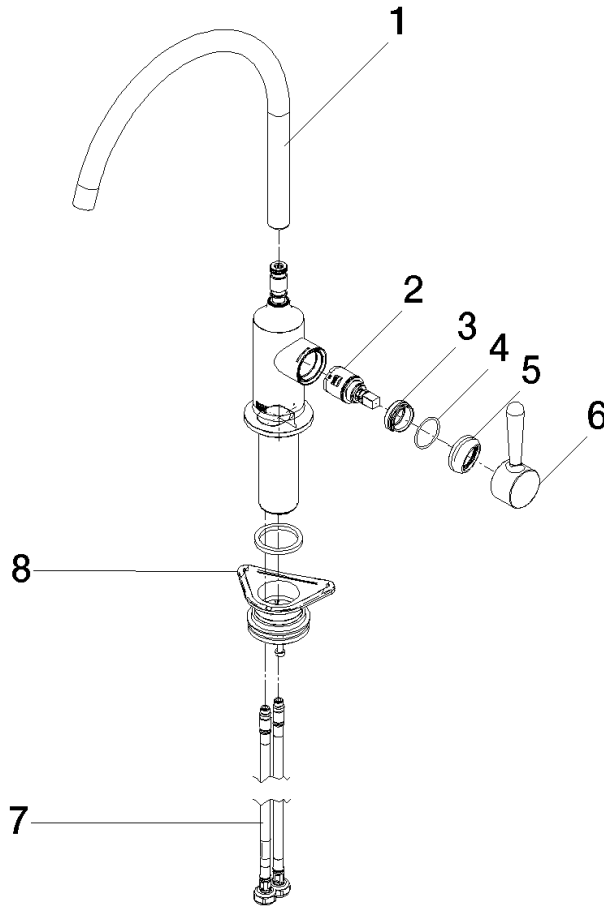
### Certificates

LGA\_29

WRAS\_240602

33 816 809 Product version from 7/1/2023

Parts for other finishes can be found here: [Chrome](#)



Spare parts list

No.	Item Number	Name	Quantity used	Delivery time
1	90 28 22 396 00-46	spout	1	30
2	90 15 05 042 00 90	cartridge	1	2
3	09 24 04 266 90	nut	1	2
4	09 14 10 091 90	seal	1	2
5	90 28 30 052 00-46	cover	1	30
6	90 20 80 050 00-46	handle	1	-
Spare part can no longer be ordered, please order the replacement item				
7	04 30 04 100 00 90	hose	2	2
8	04 23 10 044 08 90	fixing set	1	2