

33 816 809 Product version from 7/1/2023



- 241mm projection
- pivotable spout 360°
- air-enriched flow
- max. flow 7 l/min at 3 bar flow pressure
- lead-free
- This product can help a building meet the requirements of Green Building Rating Systems, e.g. LEED®, BREEAM®, DGNB

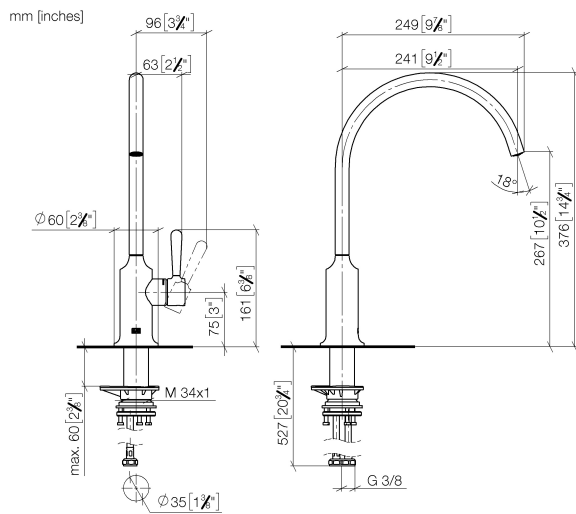
|   |                                |               |
|---|--------------------------------|---------------|
|    | Brushed Chrome                 | 33 816 809-93 |
|    | Chrome                         | 33 816 809-00 |
|    | Brushed Platinum               | 33 816 809-06 |
|    | Platinum                       | 33 816 809-08 |
|    | Durabronze (23kt Gold)         | 33 816 809-09 |
|    | Dark Chrome                    | 33 816 809-19 |
|    | Brushed Durabronze (23kt Gold) | 33 816 809-28 |
|    | Matte Black                    | 33 816 809-33 |
|    | Brushed Champagne (22kt Gold)  | 33 816 809-46 |
|   | Champagne (22kt Gold)          | 33 816 809-47 |
|  | Brushed Dark Platinum          | 33 816 809-99 |

Recommended miscellaneous

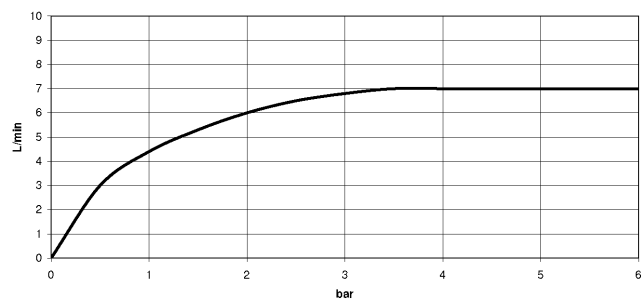
**VAIA Dispenser with rosette -** 82 434 809-93  
**Brushed Chrome**



33 816 809 Product version from 7/1/2023



**Flow rate chart**



**Codes & Standards**

DIN 4109

ISO 3822

Scottish Water  
Byelaws

UK Water Supply  
Regulations

**Ü-Zeichen**



## VAIA Single-lever mixer - Brushed Chrome

---

VAIA

33 816 809 Product version from 7/1/2023

### Certificates

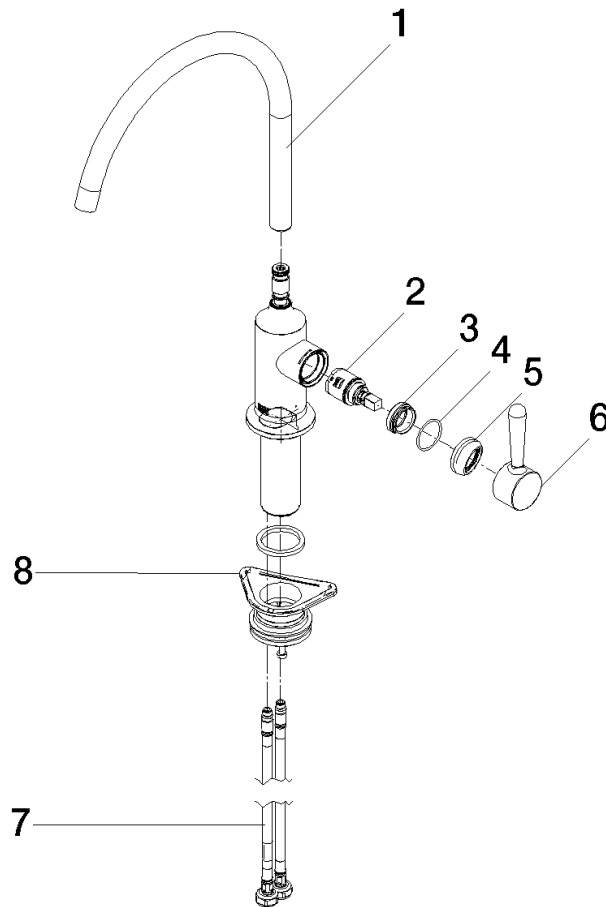
---

LGA\_29

WRAS\_240602

33 816 809 Product version from 7/1/2023

Parts for other finishes can be found here: [Chrome](#)



### Spare parts list

| No.  | Item Number        | Name       | Quantity used | Delivery time |
|--|--------------------|------------|---------------|---------------|
| 1  | 90 28 22 396 00-93 | spout      | 1             | 20            |
| 2  | 90 15 05 042 00 90 | cartridge  | 1             | 2             |
| 3  | 09 24 04 266 90    | nut        | 1             | 2             |
| 4  | 09 14 10 091 90    | seal       | 1             | 2             |
| 5  | 90 28 30 052 00-93 | cover      | 1             | 20            |
| 6  | 90 20 80 050 00-93 | handle     | 1             | -             |
| Spare part can no longer be ordered, please order the replacement item |                    |            |               |               |
| 7  | 04 30 04 100 00 90 | hose       | 2             | 2             |
| 8  | 04 23 10 044 08 90 | fixing set | 1             | 2             |