

33 826 790



- 234mm projection
- pivotable spout 360°
- spout, end-piece with 20° rotation
- air-enriched flow
- height of mixer 337 mm
- height up to aerator 297 mm
- single-lever mixer hole diameter 35mm
- max. flow 8 l/min at 3 bar flow pressure
- lead-free
- This product can help a building meet the requirements of Green Building Rating Systems, e.g. LEED®, BREEAM®, DGNB

Single-lever mixer for combining with rinsing/Profi spray only

	Brushed Dark Platinum	33 826 790-99
	Chrome	33 826 790-00
	Brushed Platinum	33 826 790-06
	Platinum	33 826 790-08
	Dark Chrome	33 826 790-19
	Brushed Durabross (23kt Gold)	33 826 790-28
	Brushed Champagne (22kt Gold)	33 826 790-46
	Champagne (22kt Gold)	33 826 790-47
	Brushed Chrome	33 826 790-93

Required miscellaneous



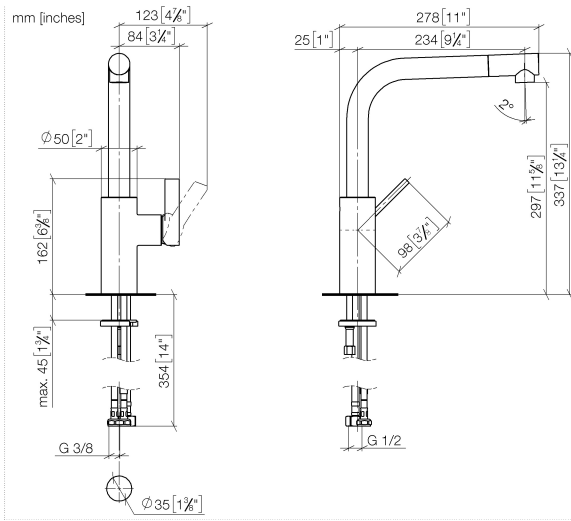
Rinsing spray set - Brushed Dark Platinum 27 721 970-99

Required miscellaneous



Profi spray set - Brushed Dark Platinum 27 789 970-99

33 826 790



Flow rate chart



Codes & Standards

DIN 4109

Executive Order
no. 1007

ISO 3822

Ü-Zeichen



ELIO Single-lever mixer for rinsing/Profi spray - Brushed Dark Platinum

ELIO

33 826 790

Certificates

LGA_18

GDV_0400

33 826 790

Product version from 5/31/2010 to 5/15/2020

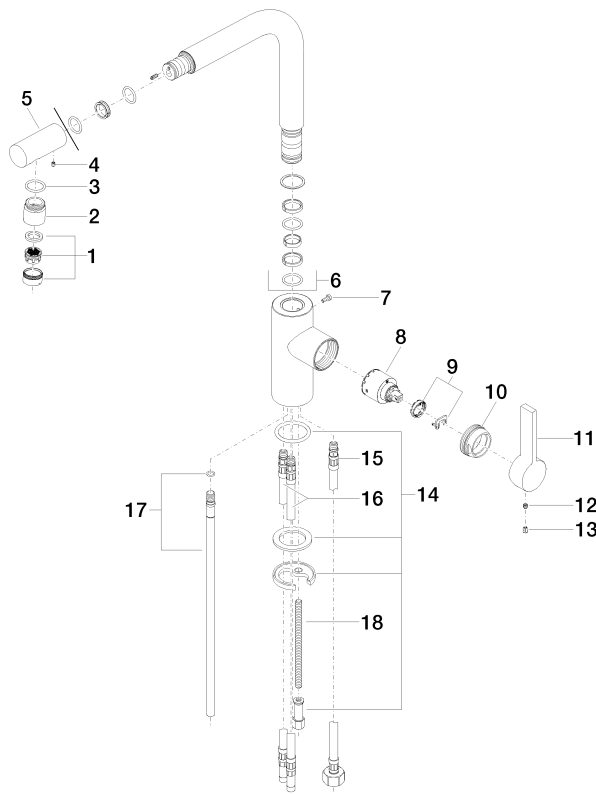
Product version from 5/15/2020 to 3/10/2021

Product version from 3/10/2021 to 5/5/2021

Product version from 5/5/2021

Product version from 6/1/2022

Parts for other
finishes can be found
here: [Chrome](#)





ELIO Single-lever mixer for rinsing/Profi spray - Brushed Dark Platinum

ELIO

33 826 790

Spare parts list

Product version from 5/31/2010 to 5/15/2020

Product version from 5/15/2020 to 3/10/2021

Product version from 3/10/2021 to 5/5/2021

Product version from 5/5/2021

Product version from 6/1/2022

No.	Item Number	Name	Quantity used	Delivery time
	90 23 01 026 07-99	aerator	18	30