

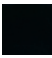
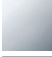

**EDITION PRO Bath thermostat for wall mounting without shower set - Matte Black**

34 201 626



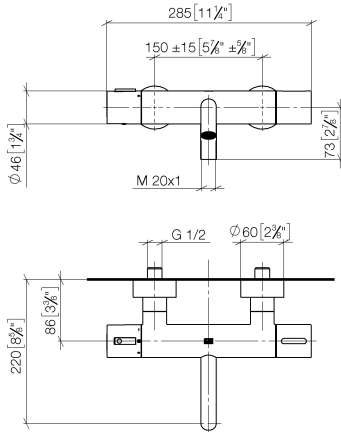
- 220mm projection
- circular normal flow
- rotary diverter with volume control and shut-off function
- 3/8" shower outlet
- slide-on rosettes Ø 60 mm
- 1/2" connection
- gauge 150 mm - 15 mm
- max. flow 16.9 l/min at 3 bar flow pressure

Intrinsic protection against back flow.

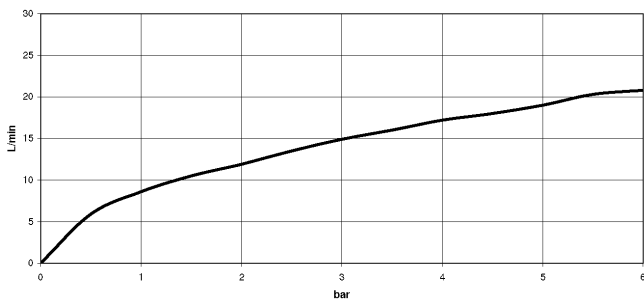
	Matte Black	34 201 626-33
	Chrome	34 201 626-00
	Brushed Chrome	34 201 626-93

**EDITION PRO Bath thermostat for wall mounting without shower set - Matte  
Black**

34 201 626  
mm [inches]



**Flow rate chart**



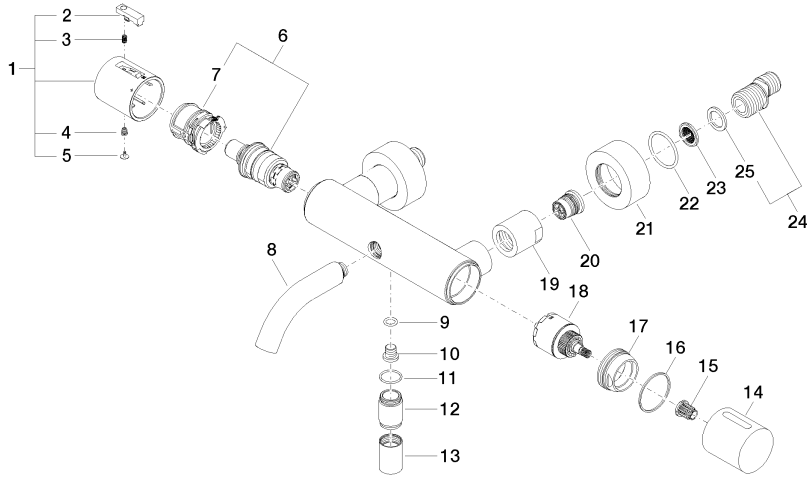
**Certificates**

Belgaqua\_21-384- 27\_5. LGA\_18609. WRAS\_2201054. Belgaqua\_21-032-27\_5.

# EDITION PRO Bath thermostat for wall mounting without shower set - Matte Black

34 201 626

Parts for other finishes can be found here: [Chrome](#)





## EDITION PRO Bath thermostat for wall mounting without shower set - Matte Black

34 201 626

### Spare parts list

No.	Item Number	Name	Quantity used	Delivery time
1	90 17 33 004 00-33	handle	1	30
2	90 21 33 011 00-13	handle	1	2
3	90 16 02 027 00 90	spring	1	2
4	90 30 30 136 00 90	screw	1	2
5	90 31 20 049 00-13	plug	1	30
6	90 15 02 070 00 90	cartridge	1	2
7	90 30 40 010 00 90	regulator	1	2
8	90 11 06 214 00-33	spout	1	30
9	09 14 10 139 90	seal	1	2
10	08 30 30 701 90	screw	1	2
11	90 14 10 032 00 90	seal	1	2
12	09 24 03 115 20-33	nipple	1	30
13	90 21 02 069 00-33	cover	1	30
14	09 20 97 020-33	handle	1	30
15	90 12 12 002 00 90	fixing cap	1	2
16	09 14 15 052 90	ring	1	2
17	09 24 04 141-33	nut	1	30
18	90 15 05 033 00 90	diverter	1	2
19	09 23 10 048-33	nut	2	30
20	90 29 05 024 00 90	nipple	2	2
21	09 27 62 004-33	rosette	2	30
22	09 14 10 119 90	seal	2	2
23	09 29 03 020 90	insert	2	2
24	04 11 04 032 00 90	connection	2	2
25	09 14 20 010 90	seal	2	2